

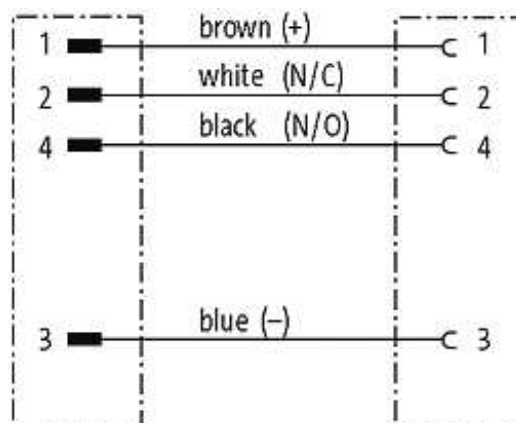
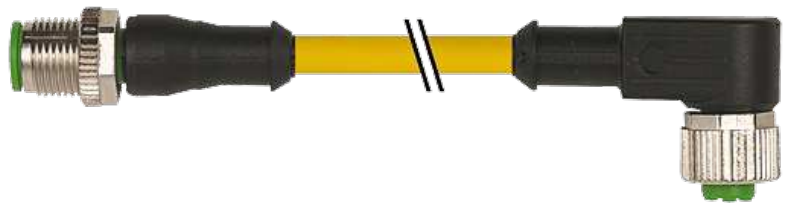
**M12 MALE 0° / M12 FEMALE 90°**

PUR 4X0.34 YELLOW, UL/CSA, ROBOT, drag ch 2m

Male straight to female 90°

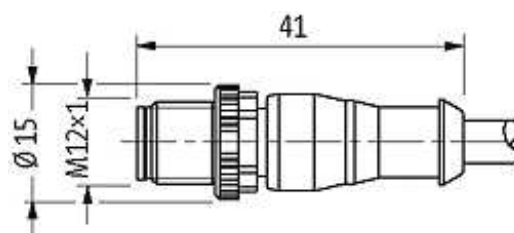
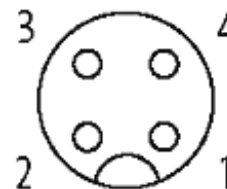
M12 - M12, 4-pole

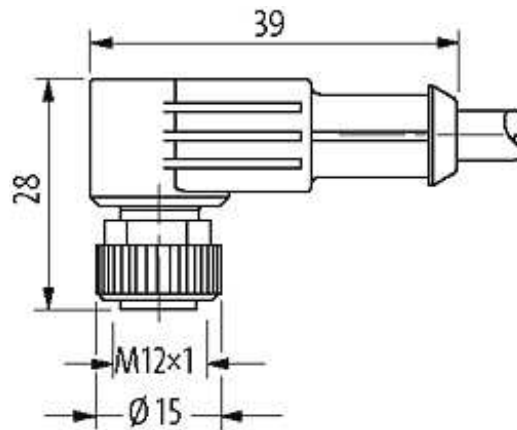
Art.-No. 7005 - M12 Lite - (plastic hexagonal screw) on request

[Link to Product](#)**Illustration**

Male

Female





Product may differ from Image

### Approvals



\* only for products with UL/CSA approved cable

### Form

Form 40121

### Cables

Cable number	054
No./diameter of wires	4 × 0.34 mm <sup>2</sup>
Wire isolation	PP (br, wh, bl, bk)
C-track properties	10 Mio.
Torsion	1 Mio. ± 360°/m
Jacket Color	yellow
Shore hardness outer jacket	58 ± 3D
Material (jacket)	PUR (UL/CSA), welding spark res.
Outer Ø	approx. 4.7 mm
Bend radius (fixed)	5 × outer Ø
Bend radius (moving)	10 × outer Ø
Temperature range (fixed)	-40...+90 °C
Temperature range (mobile)	-25...+90 °C

### General data

Temperature range -25...+85 °C, depending on cable quality

### Technical Data

Operating voltage	max. 250 V AC/DC
Operating voltage (only UL listed)	max. 30 V AC/DC
Operating current per contact	max. 4 A

Locking of ports	Screw thread M12 × 1 mm (recommended torque 0.6 Nm) self-securing
------------------	---

Locking material	Zinc die casting, matte nickel plated
------------------	---------------------------------------

Protection	IP66K, IP67 inserted and tightened (EN 60529)
------------	---

**Commercial data**

country of origin	DE
-------------------	----

customs tariff number	85444290
-----------------------	----------

minimum order quantity	1
------------------------	---