

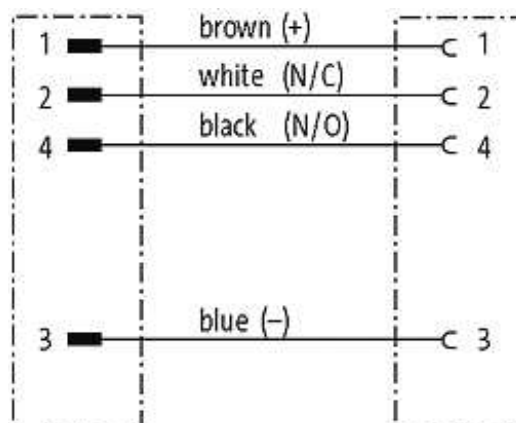
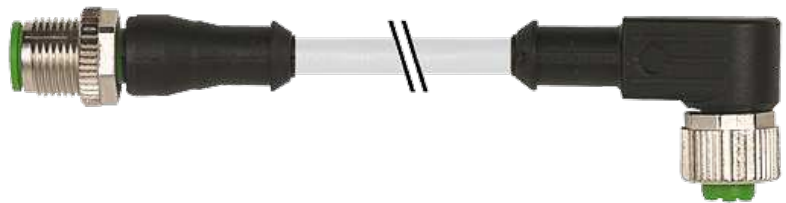
**M12 MALE 0° / M12 FEMALE 90°**

PVC 4X0.34 GRAY, UL/CSA 2m

Male straight to female 90°

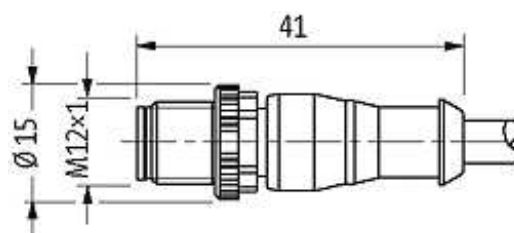
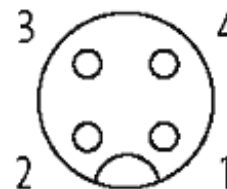
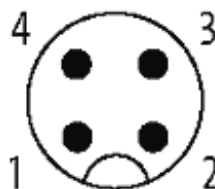
M12 - M12, 4-pole

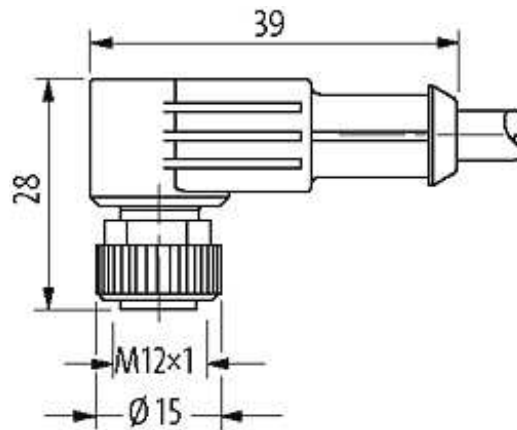
Art.-No. 7005 - M12 Lite - (plastic hexagonal screw) on request

[Link to Product](#)**Illustration**

Male

Female





Product may differ from Image

### Approvals



\* only for products with UL/CSA approved cable

### Form

Form 40121

### Cables

Cable number	214
No./diameter of wires	4 × 0.34 mm <sup>2</sup>
Wire isolation	PVC (br, wh, bl, bk)
Jacket Color	gray
Shore hardness outer jacket	85 ± 5A
Material (jacket)	PVC (UL/CSA)
Outer Ø	approx. 5.0 mm
Bend radius (fixed)	5 × outer Ø
Bend radius (moving)	10 × outer Ø
Temperature range (fixed)	-30...+80 °C
Temperature range (mobile)	-5...+80 °C

### General data

Temperature range -25...+85 °C, depending on cable quality

### Technical Data

Operating voltage	max. 250 V AC/DC
Operating voltage (only UL listed)	max. 30 V AC/DC
Operating current per contact	max. 4 A
Locking of ports	Screw thread M12 × 1 mm (recommended torque 0.6 Nm) self-securing
Locking material	Zinc die casting, matte nickel plated

---

Protection	IP66K, IP67 inserted and tightened (EN 60529)
------------	---

**Commercial data**

---

country of origin	DE
-------------------	----

---

customs tariff number	85444290
-----------------------	----------

---

minimum order quantity	1
------------------------	---