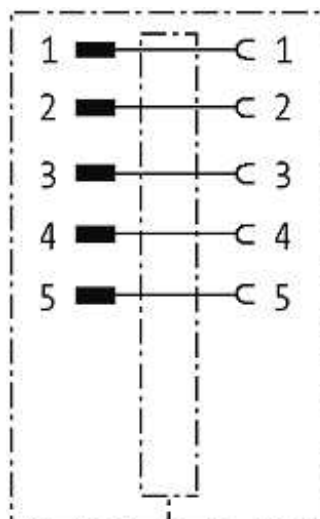


## M12-PANEL FEED THROUGH A-CODED

Control cabinet entry system M12  
A-coded, 5-pole, shielded

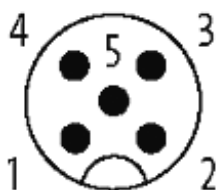
### [Link to Product](#)

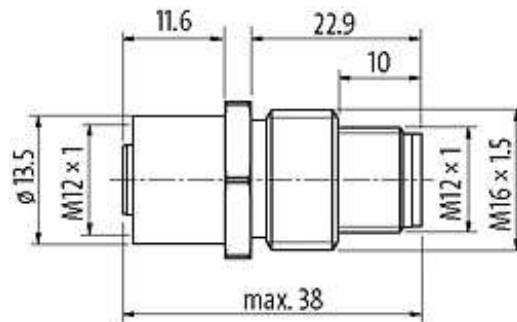
#### Illustration



Male

Female





Product may differ from Image

**Form**

Form 42111

**General data**

Mounting set M16 × 1.5 mm

Temperature range -25...+85 °C

**Technical Data**

Operating voltage max. 60 V AC/DC

Operating current per contact max. 4 A

Protection IP67 inserted and tightened (EN 60529)

**Commercial data**

country of origin CZ

customs tariff number 85369010

minimum order quantity 1