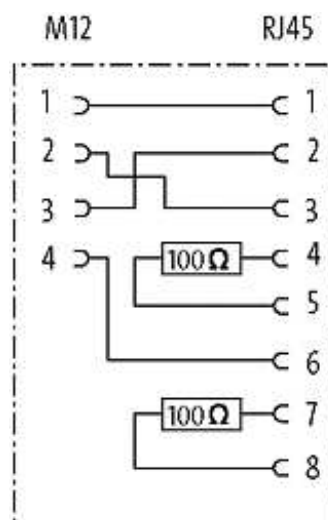
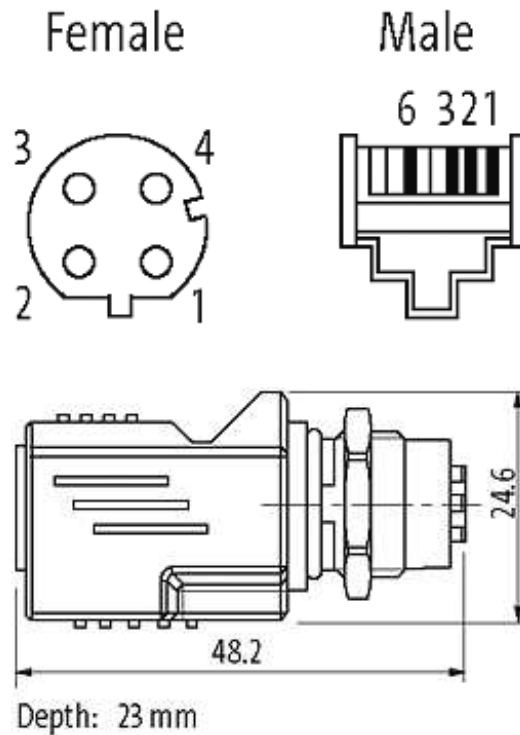


M12 Bu. D-cod. / RJ45 Ethernet adapter 0° 4-pol.

Ethernet CAT5
Adapter M12/RJ45 (female/female)
straight, D-coded, 4-pole, shielded

Plastic housings with good resistance against chemicals and oils. The resistance to aggressive media should be individually tested for your application. Further details on request.

[Link to Product](#)**Illustration**



Product may differ from Image

More Info



Form

Form 44671

General data

Temperature range -25...+85 °C

Technical Data

Operating voltage	60 V DC
Operating current per contact	max. 1.76 A
Transfer parameters	CAT5, class D (ISO/IEC 11801:2002), (EN 50173-1)
Transfer rate	10/100 Mbit/s full duplex
Coding	M12, D-coded
Protection	IP67 (M12) - IP20 (RJ45)
Locking material	Brass, chrome plated
Material	PUR

Commercial data

country of origin	CZ
customs tariff number	85366990
minimum order quantity	1