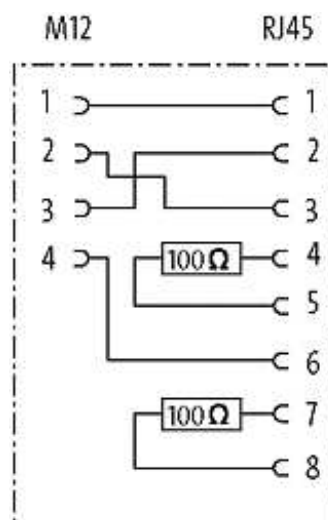
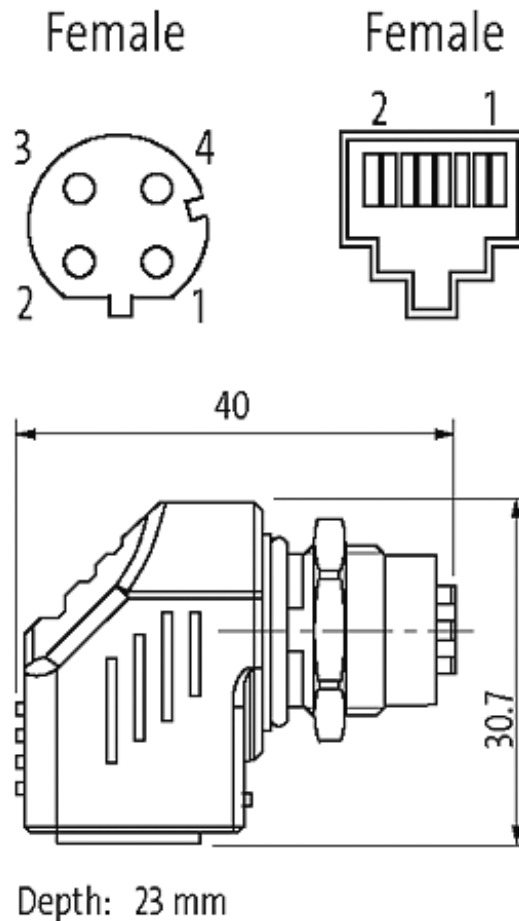


M12 Bu. D-cod. / RJ45 Ethernet adapter 90° 4-pol.

Ethernet CAT5
Adapter M12/RJ45 (female/female)
90°, D-coded, 4-pole, shielded

Plastic housings with good resistance against chemicals and oils. The resistance to aggressive media should be individually tested for your application. Further details on request.

[Link to Product](#)**Illustration**



Product may differ from Image

More Info



Form

Form 44681

General data

Temperature range -25...+85 °C

Technical Data

Operating voltage 60 V DC

Operating current per contact max. 1.76 A

Transfer parameters CAT5, class D (ISO/IEC 11801:2002), (EN 50173-1)

Transfer rate 10/100 Mbit/s full duplex

Coding M12, D-coded

Protection IP67 (M12) - IP20 (RJ45)

Locking material Brass, chrome plated

Material PUR

Commercial data

country of origin	CZ
customs tariff number	85366990
minimum order quantity	1