

PUSH PULL POWER , PROFINET

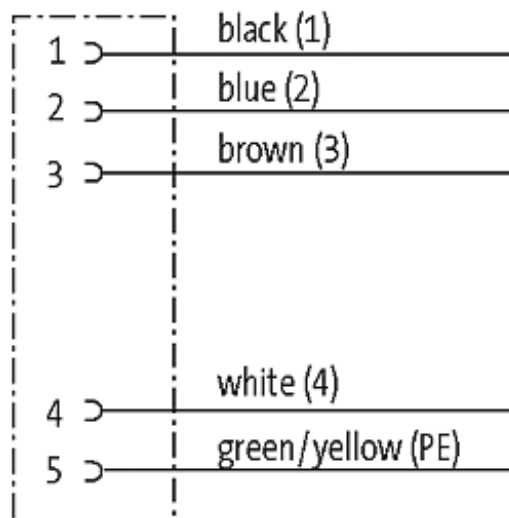
PURZ 5x2.5 gy UL/CSA, drag ch 0.6m

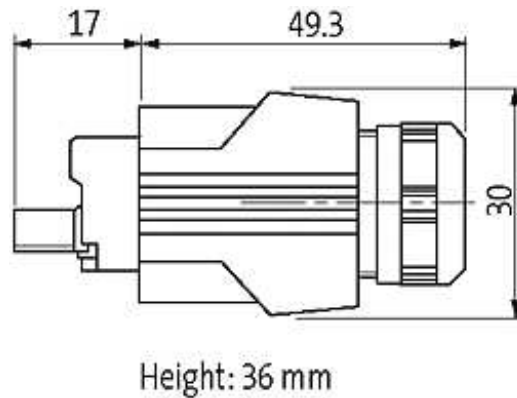
Push Pull
Power cable
5-pole

Further cable lengths on request. Plastic housings with good resistance against chemicals and oils. The resistance to aggressive media should be individually tested for your application. Further details on request.

[Link to Product](#)

Illustration





Product may differ from Image

Form

Form	99621
Form	99621

Cables

Cable number	962
Cable number	962
No./diameter of wires	5 × 2.5 mm ²
No./diameter of wires	5 × 2.5 mm ²
Wire isolation	PP (br, wh, bl, bk num, gnye)
Wire isolation	PP (br, wh, bl, bk num, gnye)
C-track properties	5 Mio.
C-track properties	5 Mio.
Jacket Color	gray
Jacket Color	gray
Shore hardness outer jacket	90 ± 5A
Shore hardness outer jacket	90 ± 5A
Material (jacket)	PUR (UL/CSA)
Material (jacket)	PUR (UL/CSA)
Outer Ø	approx. 9.7 mm
Outer Ø	approx. 9.7 mm
Bend radius (fixed)	7.5 × outer Ø
Bend radius (fixed)	7.5 × outer Ø
Bend radius (moving)	10 × outer Ø
Bend radius (moving)	10 × outer Ø
Temperature range (fixed)	-50...+80 °C
Temperature range (fixed)	-50...+80 °C
Temperature range (mobile)	-20...+80 °C
Temperature range (mobile)	-20...+80 °C

General data

Temperature range	-40...+70 °C, depending on cable quality
Temperature range	-40...+70 °C, depending on cable quality

Technical Data

Operating voltage	max. 24 V AC/DC
Operating voltage	max. 24 V AC/DC
Operating current per contact (20 °C)	max. 16 A
Operating current per contact (20 °C)	max. 16 A
Locking of ports	Push Pull
Locking of ports	Push Pull
Protection	IP67 inserted and tightened (EN 60529)
Protection	IP67 inserted and tightened (EN 60529)

Commercial data

country of origin	CZ
country of origin	CZ
customs tariff number	85444290
customs tariff number	85444290
minimum order quantity	1
minimum order quantity	1