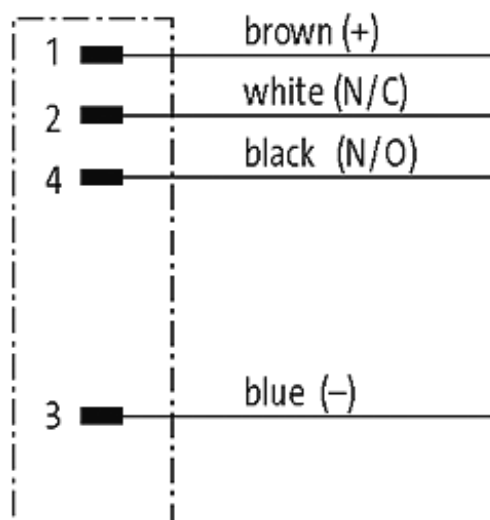


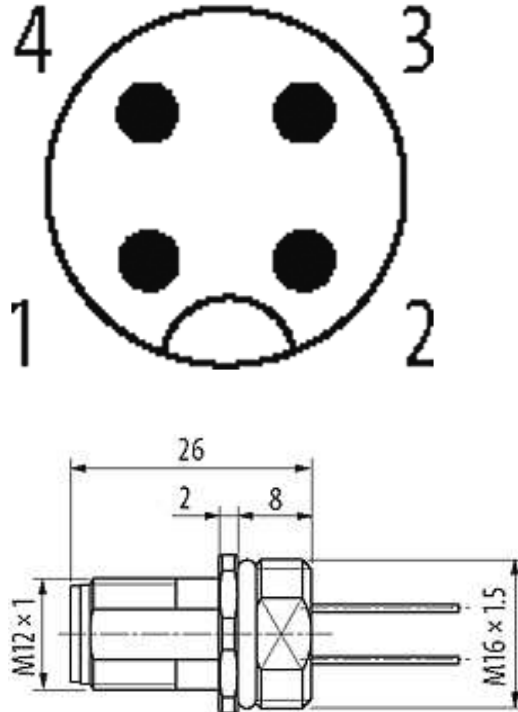
**M12 male receptacle A-cod. front mount V2A**

PP-wires 4X0.34 0.5m

Flange M12 male  
Stainless Steel 1.4305 (V2A)  
4-pole  
Front mounting  
with multi-strand wire

[Link to Product](#)**Illustration**

# Male



Product may differ from Image

## Form

Form 13501

## Cables

|                             |                          |
|-----------------------------|--------------------------|
| Cable number                | 971                      |
| No./diameter of wires       | 4 × 0.34 mm <sup>2</sup> |
| Wire isolation              | PP (br, wh, bl, bk)      |
| Shore hardness outer jacket | 70 ± 5D                  |
| Outer Ø                     | approx. 1.25 mm          |
| Bend radius (fixed)         | 5 × outer Ø              |
| Bend radius (moving)        | 10 × outer Ø             |
| Temperature range (fixed)   | -40...+80 °C             |
| Temperature range (mobile)  | -25...+80 °C             |

## General data

Temperature range -25...+85 °C

## Technical Data

|                               |   |
|-------------------------------|---|
| Operating voltage             | max. 250 V AC/DC  |
| Operating current per contact | max. 4 A  |
| Locking of ports              | Screw thread M12 × 1 mm (recommended torque 0.6 Nm) self-securing |

|                  |   |
|------------------|---|
| Locking material | Stainless Steel 1.4305 (V2A)                  |
| Protection       | IP66K, IP67 inserted and tightened (EN 60529) |

**Commercial data**

|                        |          |
|------------------------|----------|
| country of origin      | DE       |
| customs tariff number  | 85444290 |
| minimum order quantity | 10       |