

**M12 male receptacle A-cod. front mount V2A**

PP-wires 5X0.34 0.2m

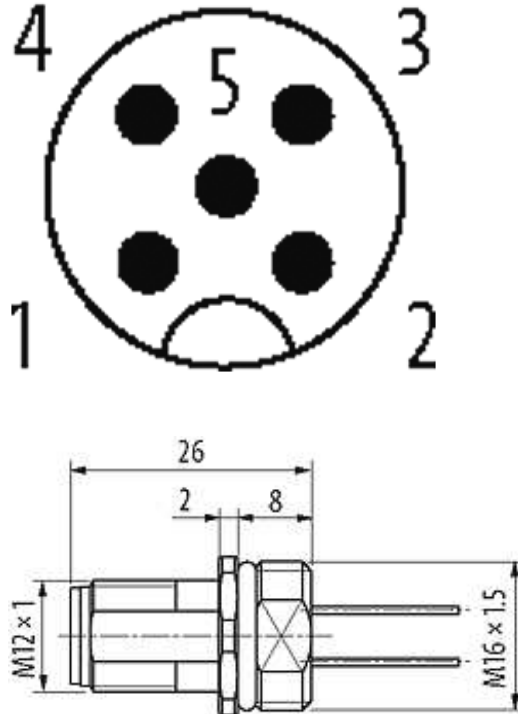
Flange M12 male  
Stainless Steel 1.4305 (V2A)  
5-pole  
Front mounting  
with multi-strand wire

[Link to Product](#)**Illustration**

1	■	brown(+)
2	■	white (N/C)
4	■	black (N/O)
3	■	blue (-)
5	■	gn/ye (gray*)

(\* for cable type 902 and 972)

# Male



Product may differ from Image

## Form

Form 13521

## Cables

Cable number	972
No./diameter of wires	5 × 0.34 mm <sup>2</sup>
Wire isolation	PP (br, wh, bl, bk, gr)
Shore hardness outer jacket	70 ± 5D
Outer Ø	approx. 1.25 mm
Bend radius (fixed)	5 × outer Ø
Bend radius (moving)	10 × outer Ø
Temperature range (fixed)	-40...+80 °C
Temperature range (mobile)	-25...+80 °C

## General data

Temperature range -25...+85 °C

## Technical Data

Operating voltage	max. 125 V AC/DC
Operating current per contact	max. 4 A
Locking of ports	Screw thread M12 × 1 mm (recommended torque 0.6 Nm) self-securing

Locking material	Stainless Steel 1.4305 (V2A)
Protection	IP66K, IP67 inserted and tightened (EN 60529)

**Commercial data**

country of origin	DE
customs tariff number	85444290
minimum order quantity	10