

**M12 male receptacle A-cod. front mount V2A**

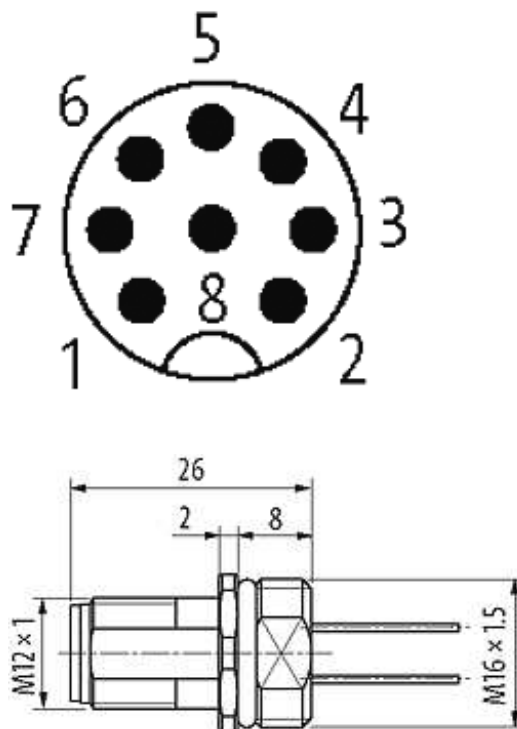
PP-wires 8x0,25 1m

Flange M12 male  
Stainless Steel 1.4305 (V2A)  
8-pole  
Front mounting  
with multi-strand wire

[Link to Product](#)**Illustration**

|   |   |        |
|---|---|--------|
| 1 | ■ | white  |
| 2 | ■ | brown  |
| 3 | ■ | green  |
| 4 | ■ | yellow |
| 5 | ■ | gray   |
| 6 | ■ | pink   |
| 7 | ■ | blue   |
| 8 | ■ | red    |

## Male



Product may differ from Image

**Form**

Form 17161

**Cables**

|                             |                                     |
|-----------------------------|-------------------------------------|
| Cable number                | 973                                 |
| No./diameter of wires       | 8 × 0.25 mm <sup>2</sup>            |
| Wire isolation              | PP (wh, br, gn, ye, gr, pk, bl, rd) |
| C-track properties          | 2 Mio.                              |
| Shore hardness outer jacket | 75 ± 5A                             |
| Outer Ø                     | approx. 1.25 mm                     |
| Bend radius (fixed)         | 10 × outer Ø                        |
| Bend radius (moving)        | 15 × outer Ø                        |
| Temperature range (fixed)   | -40...+80 °C                        |
| Temperature range (mobile)  | -20...+80 °C                        |

**General data**

Temperature range -25...+85 °C

**Technical Data**

|                               |   |
|-------------------------------|---|
| Operating voltage             | max. 60 V AC/DC   |
| Operating current per contact | max. 2 A  |
| Locking of ports              | Screw thread M12 × 1 mm (recommended torque 0.6 Nm) self-securing |

|                  |   |
|------------------|---|
| Locking material | Stainless Steel 1.4305 (V2A)                  |
| Protection       | IP66K, IP67 inserted and tightened (EN 60529) |

**Commercial data**

|                        |          |
|------------------------|----------|
| country of origin      | DE       |
| customs tariff number  | 85444290 |
| minimum order quantity | 10       |