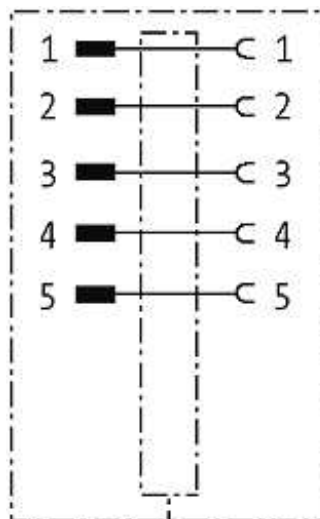


M12 BULKHEAD FLANGE PLUGS 5 POLE A CODED V2A

Control cabinet entry system M12
 A-coded, 5-pole, shielded
 Stainless Steel 1.4305 (V2A)
 Mounting nut

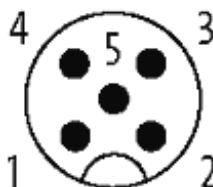
[Link to Product](#)

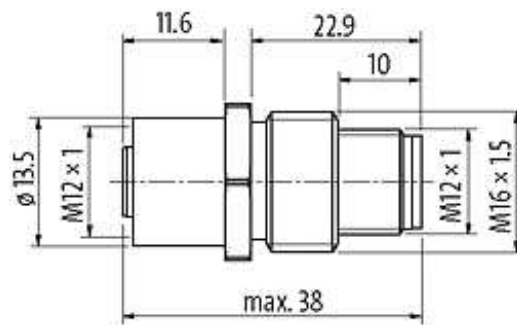
Illustration



Male

Female





Product may differ from Image

Form

Form 42111

General data

Mounting set M16 × 1.5 mm

Temperature range -25...+85 °C

Technical Data

Operating voltage max. 60 V AC/DC

Operating current per contact max. 4 A

Locking of ports Screw thread M12 × 1 mm (recommended torque 0.6 Nm) self-securing

Protection IP65, IP66K, IP67, IP68, IP69K inserted and tightened (EN 60529)

Material Stainless Steel 1.4305 (V2A)

Commercial data

country of origin CZ

customs tariff number 85369010

minimum order quantity 10