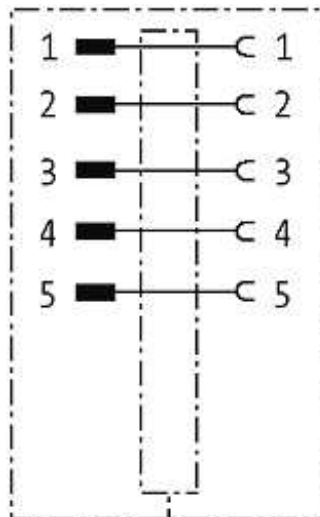
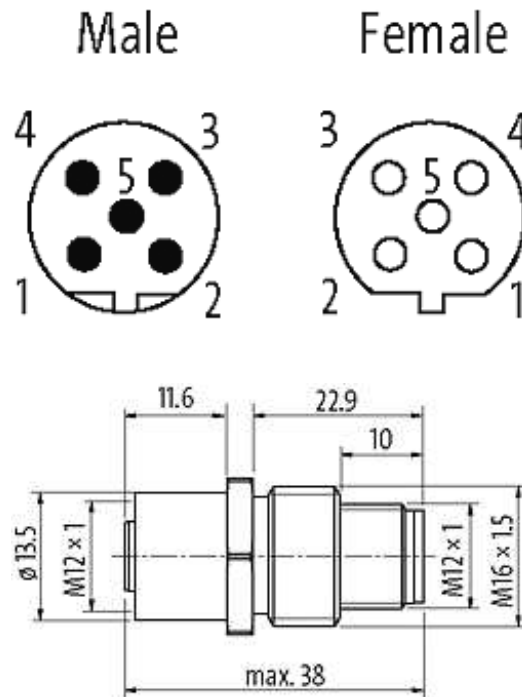


**M12-PANEL FEED THROUGH 5POLE B CODED, V2A**

Control cabinet entry system M12  
B-coded, 5-pole, shielded  
Stainless Steel 1.4305 (V2A)  
Mounting nut

[Link to Product](#)**Illustration**



Product may differ from Image

**Form**

Form 44111

**General data**

Mounting set M16 × 1.5 mm

Temperature range -25...+85 °C

**Technical Data**

Operating voltage max. 60 V AC/DC

Operating current per contact max. 4 A

Locking of ports Screw thread M12 × 1 mm (recommended torque 0.6 Nm) self-securing

Protection IP67 inserted and tightened (EN 60529)

Material Stainless Steel 1.4305 (V2A)

**Commercial data**

country of origin CZ

customs tariff number 85369010

minimum order quantity 1