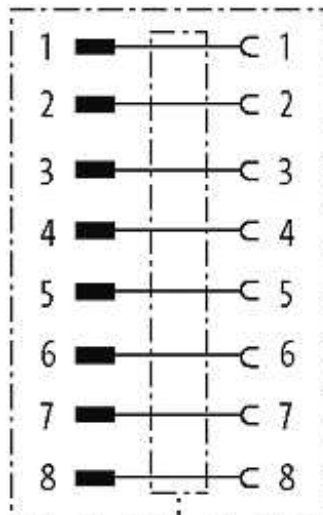


M12 bulkhead receptacles V2A

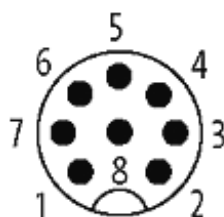
Control cabinet entry system M12
 A-coded, 8-pole, shielded
 Stainless Steel 1.4305 (V2A)
 Mounting nut

[Link to Product](#)

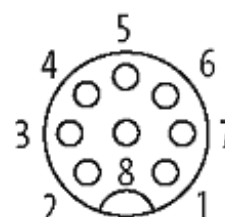
Illustration

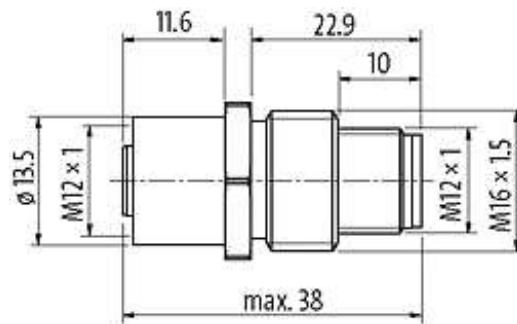


Male



Female





Product may differ from Image

Form

Form 48111

General data

Mounting set M16 × 1.5 mm

Temperature range -25...+85 °C

Technical Data

Operating voltage max. 30 V AC/DC

Operating current per contact max. 1.5 A

Locking of ports Screw thread M12 × 1 mm (recommended torque 0.6 Nm) self-securing

Protection IP67 inserted and tightened (EN 60529)

Material Stainless Steel 1.4305 (V2A)

Commercial data

country of origin CZ

customs tariff number 85369010

minimum order quantity 1