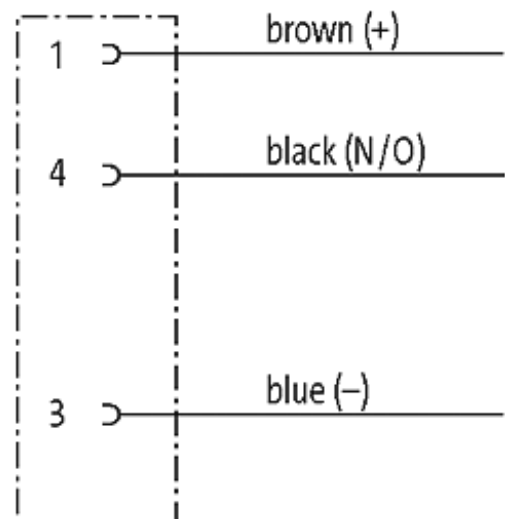
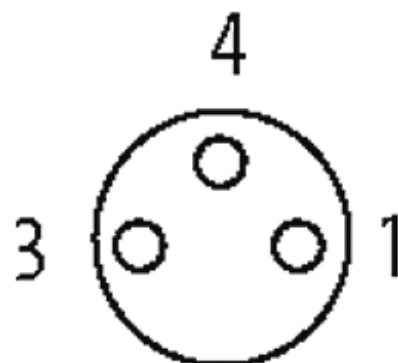


**M8 SC FEMALE 90°**

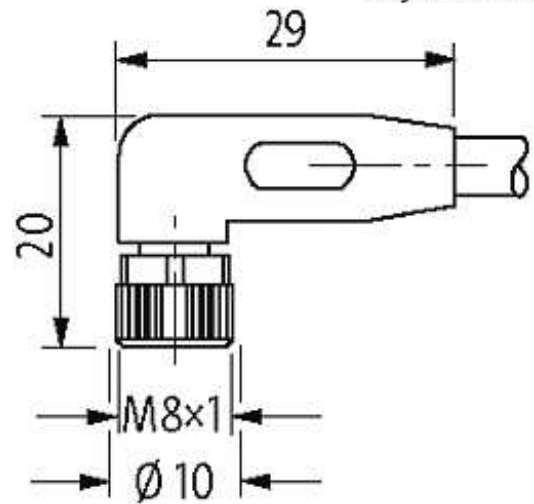
FEP-JB bk 10m

M8  
Female 90°  
3-pole  
Stainless Steel 1.4305 (V2A) PTFE

Plastic housings with good resistance against chemicals and oils. The resistance to aggressive media should be individually tested for your application. Further details on request. Further cable lengths on request.

[Link to Product](#)**Illustration****Female**

stay connected



Product may differ from Image

### Form

Form	08088
------	-------

### Cables

Cable number	828
No./diameter of wires	5 × 0.34 mm <sup>2</sup>
Wire isolation	FEP (br, wh, bl, bk, gnye)
Jacket Color	black
Shore hardness outer jacket	57 ± 5D
Material (jacket)	FEP
Outer Ø	approx. 4.6 mm
Bend radius (fixed)	10 × outer Ø
Bend radius (moving)	15 × outer Ø

### Technical Data

Operating voltage	max. 60 V AC/DC
Operating current per contact	max. 4 A
Locking of ports	Screw thread M8 × 1 mm (recommended torque 0.4 Nm) self-securing
Protection	IP50
Locking material	Stainless Steel 1.4305 (V2A) PTFE

### Commercial data

country of origin	DE
customs tariff number	85444290
minimum order quantity	1