

**M12 SC FEMALE 0°**

FEP-JB 5x0,38 bk 5m

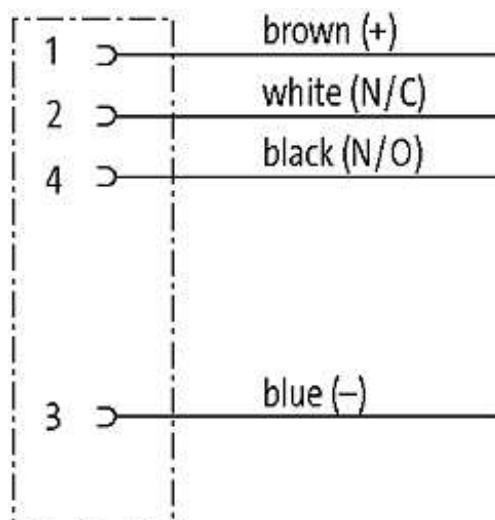
M12

Female straight

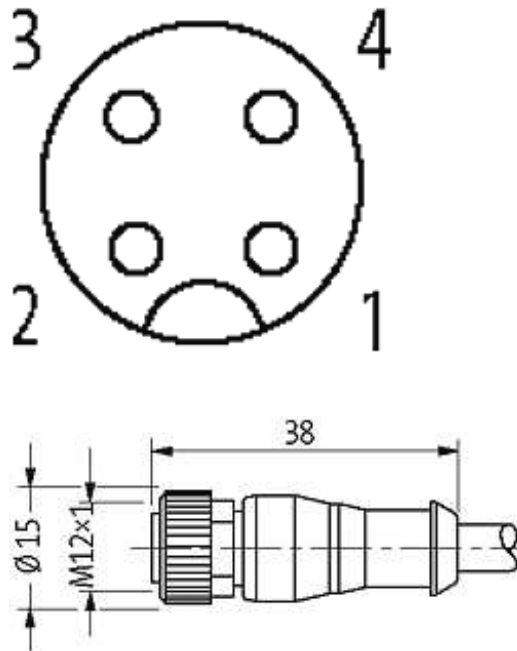
4-pole

Stainless Steel 1.4305 (V2A) PTFE

Plastic housings with good resistance against chemicals and oils. The resistance to aggressive media should be individually tested for your application. Further details on request. Further cable lengths on request.

[Link to Product](#)**Illustration**

# Female



Product may differ from Image

## Form

Form 12228

## Cables

|                             |                            |
|-----------------------------|----------------------------|
| Cable number                | 828                        |
| No./diameter of wires       | 5 × 0.34 mm <sup>2</sup>   |
| Wire isolation              | FEP (br, wh, bl, bk, gnye) |
| Jacket Color                | black                      |
| Shore hardness outer jacket | 57 ± 5D                    |
| Material (jacket)           | FEP                        |
| Outer Ø                     | approx. 4.6 mm             |
| Bend radius (fixed)         | 10 × outer Ø               |
| Bend radius (moving)        | 15 × outer Ø               |

## Technical Data

|                               |   |
|-------------------------------|---|
| Operating voltage             | max. 250 V AC/DC  |
| Operating current per contact | max. 4 A  |
| Locking of ports              | Screw thread M12 × 1 mm (recommended torque 0.6 Nm) self-securing |
| Protection                    | IP50  |
| Locking material              | Stainless Steel 1.4305 (V2A) PTFE                                 |

## Commercial data

country of origin DE

---

|                        |          |
|------------------------|----------|
| customs tariff number  | 85444290 |
| minimum order quantity | 1        |

---