

M12 female 90° with cable LED SC

FEP 5xAWG22 bk 5m

M12

Female 90°

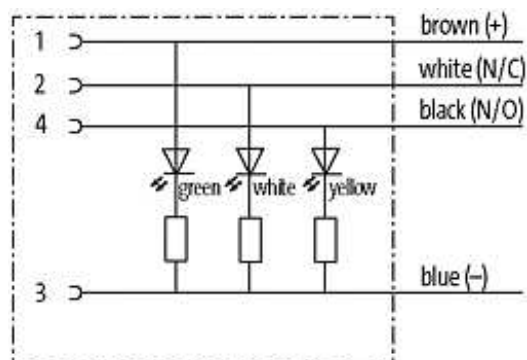
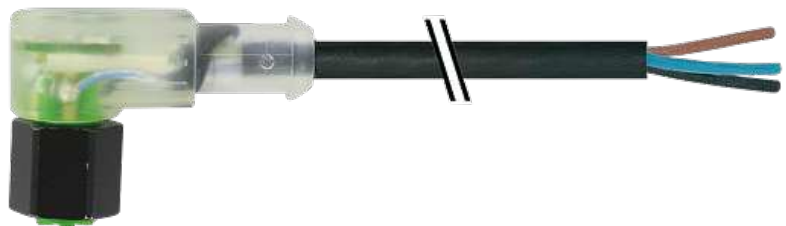
4-pole with 3 × LED (PNP)

Stainless Steel 1.4305 (V2A) PTFE

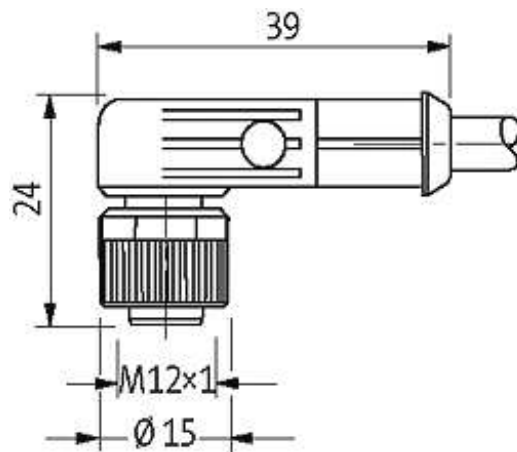
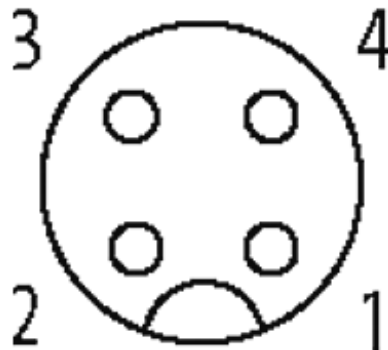
Plastic housings with good resistance against chemicals and oils. The resistance to aggressive media should be individually tested for your application. Further details on request. Further cable lengths on request.

[Link to Product](#)

Illustration



Female



Product may differ from Image

Form

Form 12428

Cables

Cable number	828
No./diameter of wires	5 × 0.34 mm ²
Wire isolation	FEP (br, wh, bl, bk, gnye)
Jacket Color	black
Shore hardness outer jacket	57 ± 5D
Material (jacket)	FEP
Outer Ø	approx. 4.6 mm
Bend radius (fixed)	10 × outer Ø
Bend radius (moving)	15 × outer Ø

Technical Data

Operating voltage	24 V AC/DC ±25 %
Operating current per contact	max. 4 A
Locking of ports	Screw thread M12 × 1 mm (recommended torque 0.6 Nm) self-securing

Protection	IP50
Locking material	Stainless Steel 1.4305 (V2A) PTFE

Commercial data

country of origin	DE
customs tariff number	85444290
minimum order quantity	1