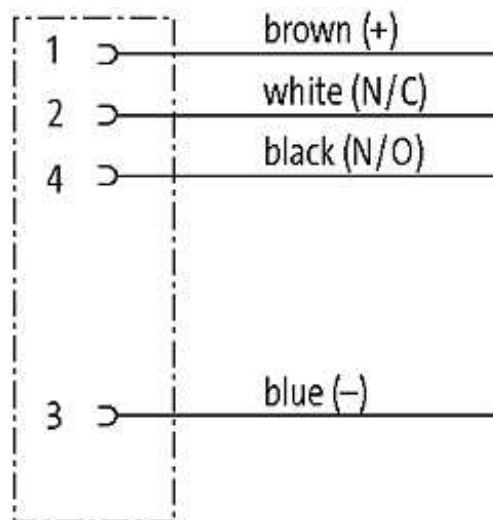


**M8 FEMALE 0° F&B**

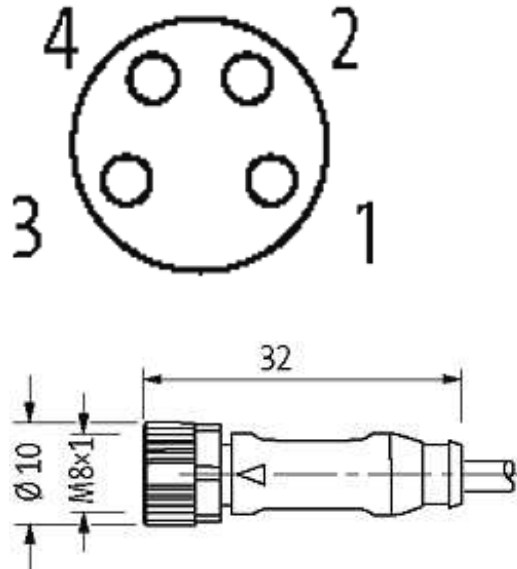
PVC 4x0.25 GRAY, UL/CSA 5m

Female straight  
4-pole

Plastic housings with good resistance against chemicals and oils. The resistance to aggressive media should be individually tested for your application. Further details on request. Further cable lengths on request.

[Link to Product](#)**Illustration**

# Female



Product may differ from Image

## Approvals



## Form

Form 08061

## Cables

|                             |                          |
|-----------------------------|--------------------------|
| Cable number                | 211                      |
| No./diameter of wires       | 4 × 0.25 mm <sup>2</sup> |
| Wire isolation              | PVC (br, wh, bl, bk)     |
| Jacket Color                | gray                     |
| Shore hardness outer jacket | 85 ± 5A                  |
| Material (jacket)           | PVC (UL/CSA)             |
| Outer Ø                     | approx. 4.8 mm           |
| Bend radius (fixed)         | 5 × outer Ø              |
| Bend radius (moving)        | 10 × outer Ø             |
| Temperature range (fixed)   | -30...+80 °C             |
| Temperature range (mobile)  | -5...+80 °C              |

## General data

Temperature range -25...+85 °C, depending on cable quality

**Technical Data**

|                               |  |
|-------------------------------|--|
| Operating voltage             | max. 30 V AC/DC  |
| Operating current per contact | max. 4 A   |
| Locking of ports              | Screw thread M8 × 1 mm (recommended torque 0.4 Nm) self-securing |
| Protection                    | IP65, IP66K, IP67, IP68 inserted and tightened (EN 60529)        |
| Locking material              | Stainless Steel 1.4404 (V4A)                                     |

**Commercial data**

|                        |          |
|------------------------|----------|
| country of origin      | DE       |
| customs tariff number  | 85444290 |
| minimum order quantity | 1        |