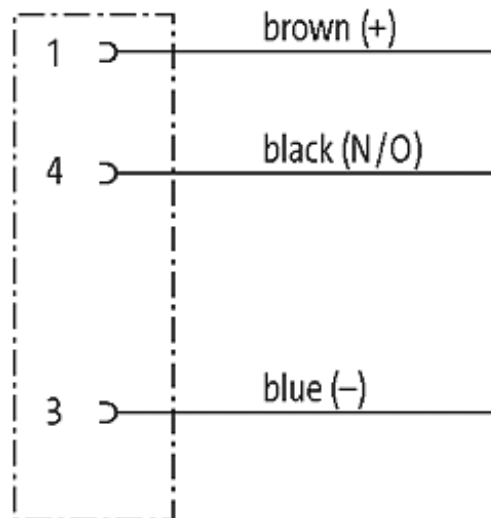
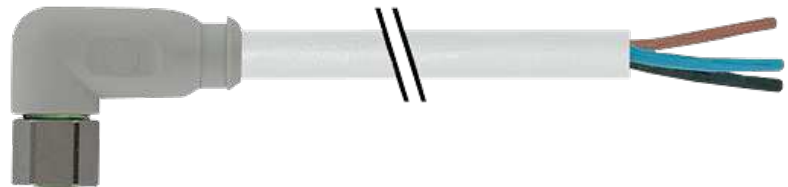


M8 FEMALE 90° F&B

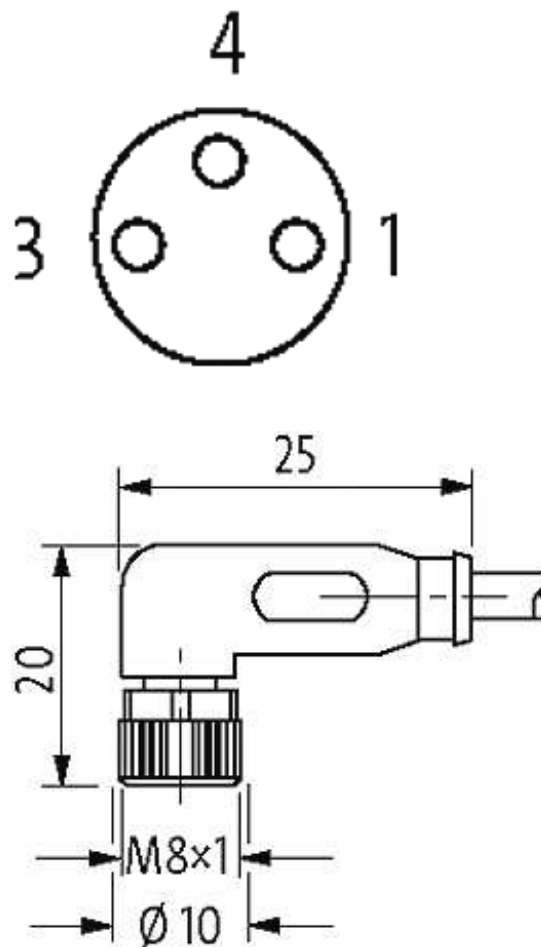
PVC 3x0.25 GRAY, 5m

Female 90°
3-pole

Plastic housings with good resistance against chemicals and oils. The resistance to aggressive media should be individually tested for your application. Further details on request. Further cable lengths on request.

[Link to Product](#)**Illustration**

Female



Product may differ from Image

Approvals



Form

Form 08081

Cables

| | |
|-----------------------------|--------------------------|
| Cable number | 210 |
| No./diameter of wires | 3 × 0.25 mm ² |
| Wire isolation | PVC (br, bl, bk) |
| Jacket Color | gray |
| Shore hardness outer jacket | 85 ± 5A |
| Material (jacket) | PVC (UL/CSA) |
| Outer Ø | approx. 4.5 mm |

The information in this brochure has been compiled with the utmost care.

Liability for the correctness completeness and topicality of the information is restricted to gross negligence. Version: 05/16

| | |
|----------------------------|--------------|
| Bend radius (fixed) | 5 × outer Ø |
| Bend radius (moving) | 10 × outer Ø |
| Temperature range (fixed) | -30...+80 °C |
| Temperature range (mobile) | -5...+80 °C |

General data

| | |
|-------------------|--|
| Temperature range | -25...+85 °C, depending on cable quality |
|-------------------|--|

Technical Data

| | |
|-------------------------------|--|
| Operating voltage | max. 60 V AC/DC |
| Operating current per contact | max. 4 A |
| Locking of ports | Screw thread M8 × 1 mm (recommended torque 0.4 Nm) self-securing |
| Protection | IP65, IP66K, IP67, IP68 inserted and tightened (EN 60529) |
| Locking material | Stainless Steel 1.4404 (V4A) |

Commercial data

| | |
|------------------------|----------|
| country of origin | DE |
| customs tariff number | 85444290 |
| minimum order quantity | 1 |