

**M12 FEMALE 0° F&B**

PVC 5X0.34 GRAY, UL/CSA 5m

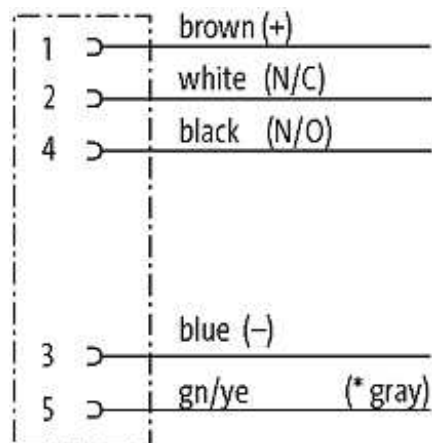
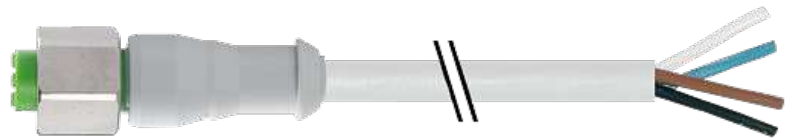
F&amp;B

Female straight

5-pole

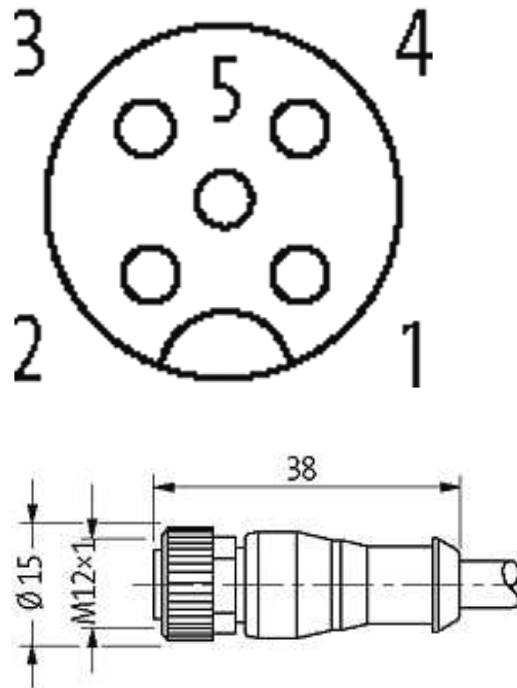
Profile gasket

Further cable lengths on request.

[Link to Product](#)**Illustration**

(\* for cable type 126, 732, 219, 619)

# Female



Product may differ from Image

## Approvals



## Form

Form 12241

## Cables

Cable number	215
No./diameter of wires	5 × 0.34 mm <sup>2</sup>
Wire isolation	PVC (br, wh, bl, bk, gnye)
Jacket Color	gray
Shore hardness outer jacket	85 ± 5A
Material (jacket)	PVC (UL/CSA)
Outer Ø	approx. 5.2 mm
Bend radius (fixed)	5 × outer Ø
Bend radius (moving)	10 × outer Ø
Temperature range (fixed)	-30...+80 °C
Temperature range (mobile)	-5...+80 °C

## General data

The information in this brochure has been compiled with the utmost care.

Liability for the correctness completeness and topicality of the information is restricted to gross negligence. Version: 05/16

Temperature range -25...+85 °C, depending on cable quality

**Technical Data**

Operating voltage max. 125 V AC/DC

Operating current per contact max. 4 A

Locking of ports Screw thread M12 × 1 mm (recommended torque 0.6 Nm) self-securing

Protection IP65, IP66K, IP67, IP68 inserted and tightened (EN 60529)

Locking material Stainless Steel 1.4404 (V4A)

**Commercial data**

country of origin DE

customs tariff number 85444290

minimum order quantity 1