

M12 FEMALE 90° LED F&B

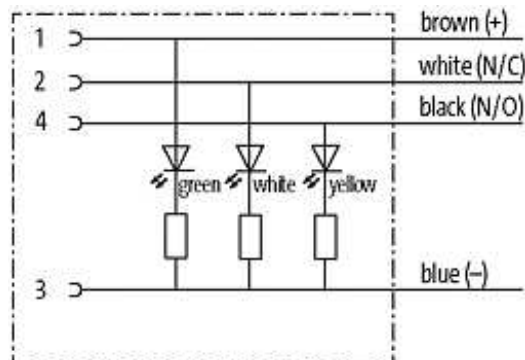
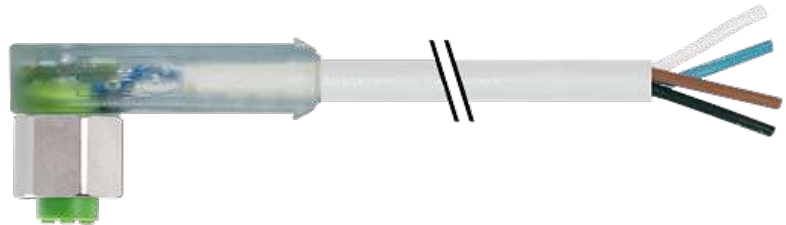
PVC 4X0.34 GRAY, 3m

Female 90°
4-pole with 3 × LED (PNP)
Profile gasket

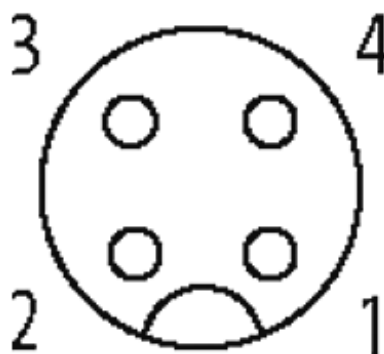
Plastic housings with good resistance against chemicals and oils. The resistance to aggressive media should be individually tested for your application. Further details on request. Further cable lengths on request.

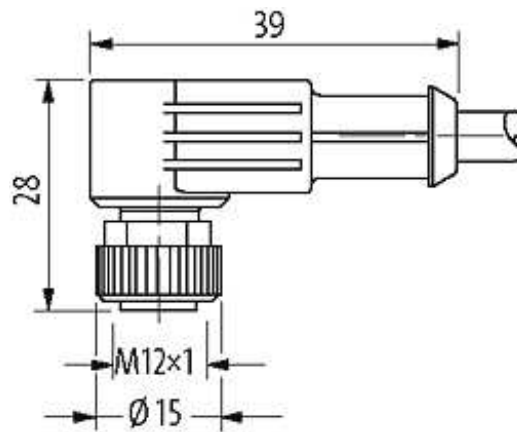
[Link to Product](#)

Illustration



Female





Product may differ from Image

Approvals



Form

Form 12421

Cables

| | |
|-----------------------------|--------------------------|
| Cable number | 214 |
| No./diameter of wires | 4 × 0.34 mm ² |
| Wire isolation | PVC (br, wh, bl, bk) |
| Jacket Color | gray |
| Shore hardness outer jacket | 85 ± 5A |
| Material (jacket) | PVC (UL/CSA) |
| Outer Ø | approx. 5.0 mm |
| Bend radius (fixed) | 5 × outer Ø |
| Bend radius (moving) | 10 × outer Ø |
| Temperature range (fixed) | -30...+80 °C |
| Temperature range (mobile) | -5...+80 °C |

General data

Temperature range -25...+85 °C, depending on cable quality

Technical Data

| | |
|-------------------------------|---|
| Operating voltage | 24 V DC ±25 % |
| Operating current per contact | max. 4 A |
| Locking of ports | Screw thread M12 × 1 mm (recommended torque 0.6 Nm) self-securing |
| Protection | IP65, IP66K, IP67, IP68 inserted and tightened (EN 60529) |
| Locking material | Stainless Steel 1.4404 (V4A) |

Commercial data

| | |
|------------------------|----------|
| country of origin | DE |
| customs tariff number | 85444290 |
| minimum order quantity | 1 |