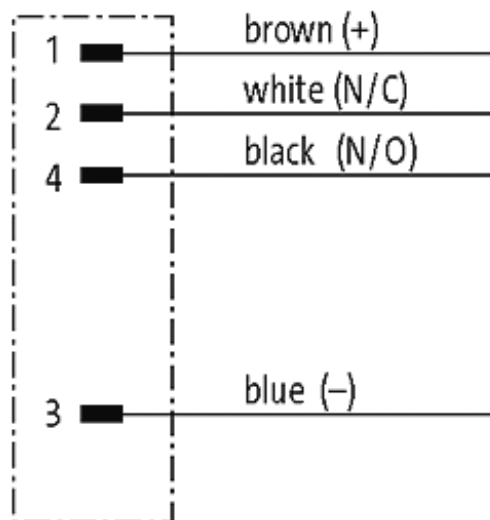


M12 STEEL MALE 0°

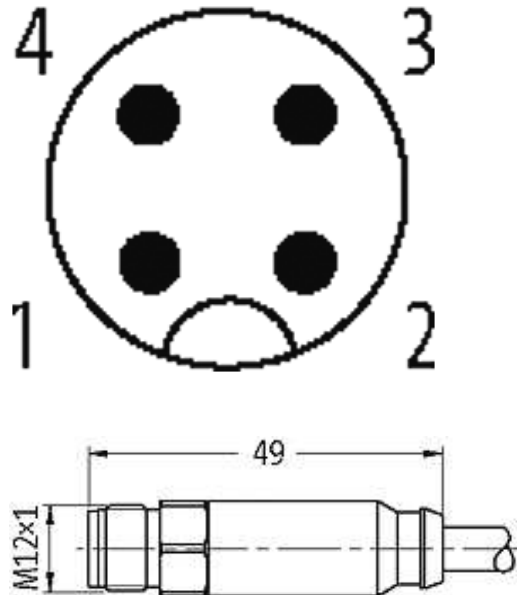
TPE-S-OB 4X0.34 GRAY, 0.5m

M12-Steel
Male straight
4-pole

Further cable lengths on request.

[Link to Product](#)**Illustration**

Male



Product may differ from Image

Approvals



Form

Form 12021

Cables

Cable number	336
No./diameter of wires	4 × 0.34 mm ²
Wire isolation	TPE-S (br, wh, bl, bk)
Jacket Color	gray
Shore hardness outer jacket	80 ± 5A
Material (jacket)	TPE-S
Outer Ø	approx. 5.2 mm
Bend radius (fixed)	10 × outer Ø
Bend radius (moving)	15 × outer Ø
Temperature range (fixed)	-50...+125 °C
Temperature range (mobile)	-30...+105 °C

General data

Temperature range -40...+85 °C, depending on cable quality

Technical Data

Operating voltage	max. 32 V AC/DC
Operating current per contact	max. 4 A
Locking of ports	Screw thread M12 × 1 mm (recommended torque 0.6 Nm) self-securing
Protection	IP65, IP66K, IP67, IP68, IP69K inserted and tightened (EN 60529)
Locking material	Stainless Steel 1.4404 (V4A)

Commercial data

country of origin	CZ
customs tariff number	85444290
minimum order quantity	1