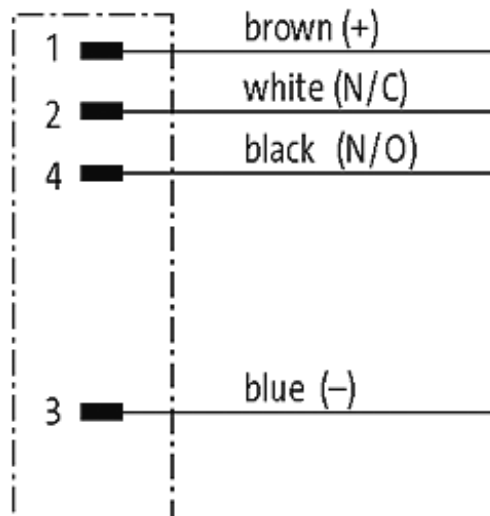
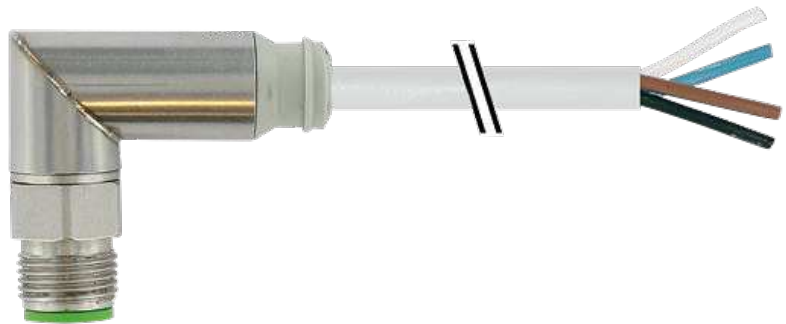
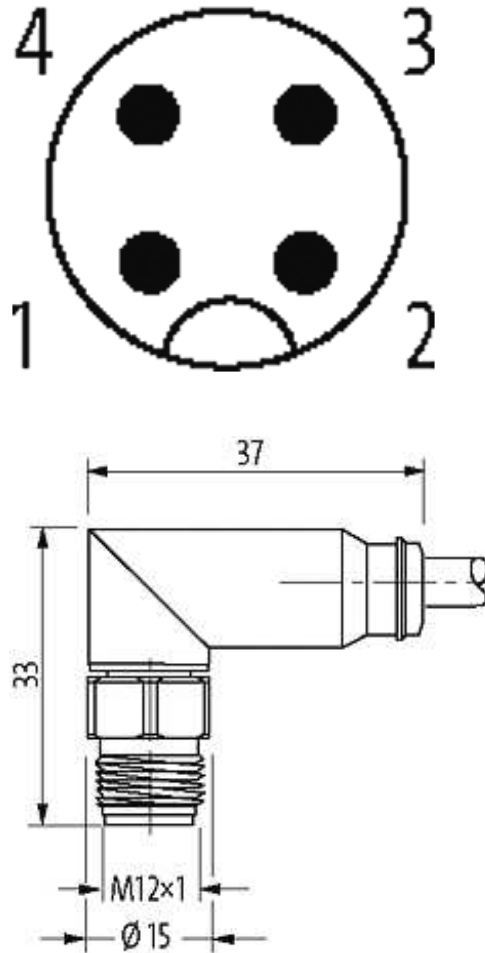


M12-Steel male 90° with cable

TPE-S 4x0.34 gy 1,5m

M12-Steel
Male 90°
4-pole[Link to Product](#)**Illustration**

Male



Product may differ from Image

Approvals



Form

Form 12101

Cables

Cable number	336
No./diameter of wires	4 × 0.34 mm ²
Wire isolation	TPE-S (br, wh, bl, bk)
Jacket Color	gray
Shore hardness outer jacket	80 ± 5A
Material (jacket)	TPE-S

The information in this brochure has been compiled with the utmost care.

Liability for the correctness completeness and topicality of the information is restricted to gross negligence. Version: 05/16

Outer Ø	approx. 5.2 mm
Bend radius (fixed)	10 × outer Ø
Bend radius (moving)	15 × outer Ø
Temperature range (fixed)	-50...+125 °C
Temperature range (mobile)	-30...+105 °C

Technical Data

Operating voltage	max. 32 V AC/DC
Operating current per contact	max. 4 A
Locking of ports	Screw thread M12 × 1 mm (recommended torque 0.6 Nm) self-securing
Protection	IP65, IP66K, IP67, IP68, IP69K inserted and tightened (EN 60529)
Locking material	Stainless Steel 1.4404 (V4A)

Commercial data

country of origin	CZ
customs tariff number	85444290
minimum order quantity	1