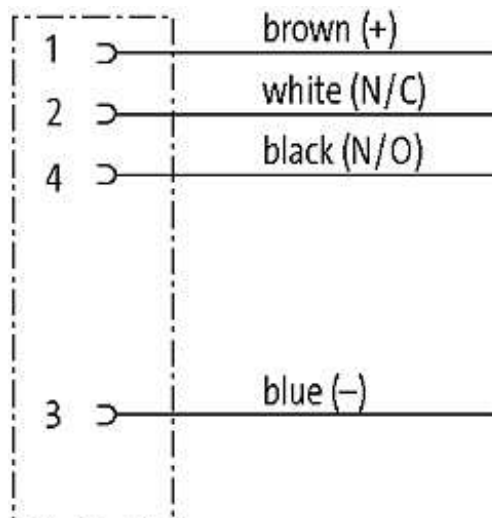
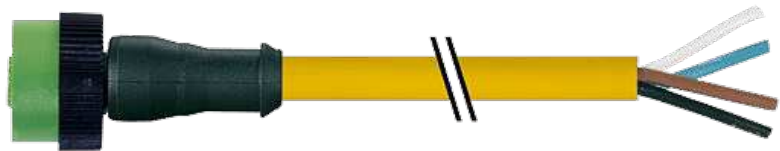


MQ12 female 0° with cable

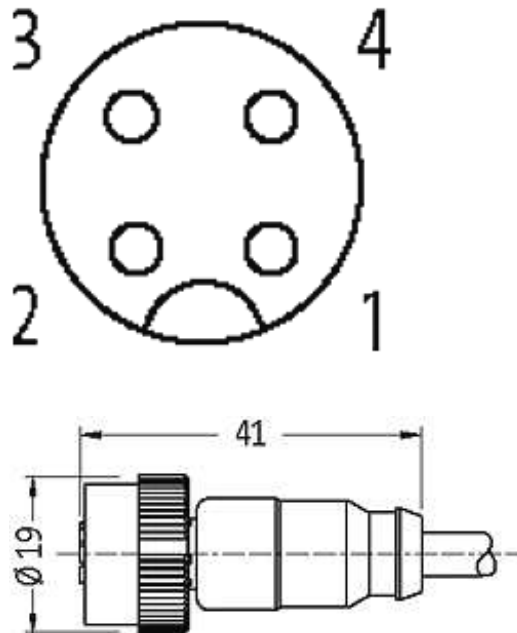
PUR 4x0.34 ye UL/CSA+drag chain 20m

Female straight
4-pole

Further cable lengths on request. Plastic housings with good resistance against chemicals and oils. The resistance to aggressive media should be individually tested for your application. Further details on request.

[Link to Product](#)**Illustration**

Female



Product may differ from Image

Approvals



Form

Form 12221

Cables

| | |
|-----------------------------|--------------------------|
| Cable number | 034 |
| No./diameter of wires | 4 × 0.34 mm ² |
| Wire isolation | PP (br, wh, bl, bk) |
| C-track properties | 5 Mio. |
| Torsion | 2 Mio. ± 180°/m |
| Jacket Color | yellow |
| Shore hardness outer jacket | 90 ± 5A |
| Material (jacket) | PUR (UL/CSA) |
| Outer Ø | approx. 4.7 mm |
| Bend radius (fixed) | 5 × outer Ø |
| Bend radius (moving) | 10 × outer Ø |
| Temperature range (fixed) | -40...+80 °C |
| Temperature range (mobile) | -25...+80 °C |

General data

| | |
|-------------------|--|
| Temperature range | -25...+85 °C, depending on cable quality |
|-------------------|--|

Technical Data

| | |
|-------------------------------|--|
| Operating voltage | max. 250 V AC/DC |
| Operating current per contact | max. 4 A |
| Locking of ports | Quick connection, 1/4 turn |
| Protection | IP67 inserted and tightened (EN 60529) |

Commercial data

| | |
|------------------------|----------|
| country of origin | DE |
| customs tariff number | 85444290 |
| minimum order quantity | 1 |