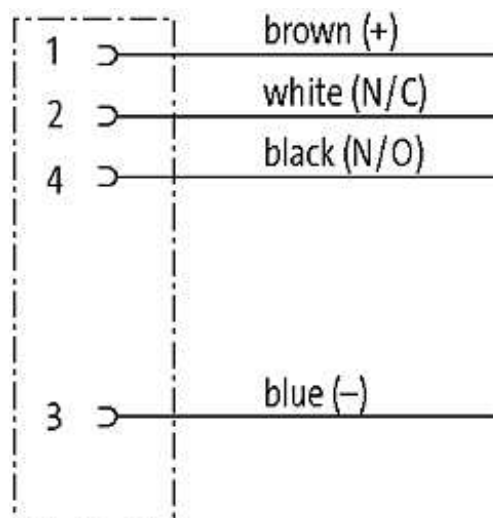


MQ12 FEMALE 0°

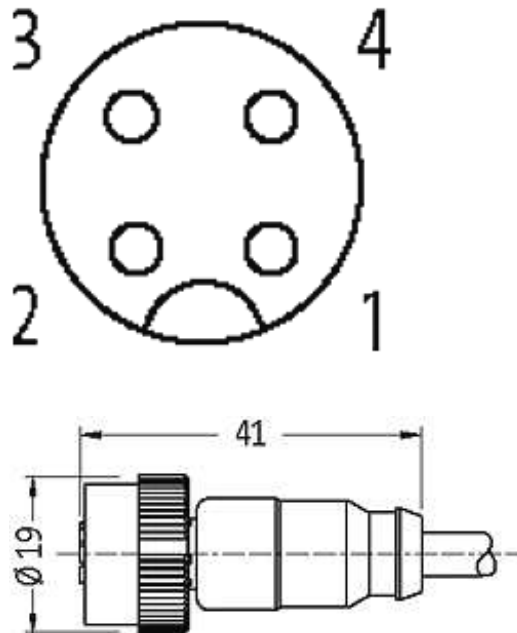
PVC 4X0.34 black 10m

Female straight
4-pole

Further cable lengths on request. Plastic housings with good resistance against chemicals and oils. The resistance to aggressive media should be individually tested for your application. Further details on request.

[Link to Product](#)**Illustration**

Female



Product may differ from Image

Approvals



Form

Form 12221

Cables

| | |
|-----------------------------|--------------------------|
| Cable number | 614 |
| No./diameter of wires | 4 × 0.34 mm ² |
| Wire isolation | PVC (br, wh, bl, bk) |
| Jacket Color | black |
| Shore hardness outer jacket | 85 ± 5A |
| Material (jacket) | PVC (UL/CSA) |
| Outer Ø | approx. 5.0 mm |
| Bend radius (fixed) | 5 × outer Ø |
| Bend radius (moving) | 10 × outer Ø |
| Temperature range (fixed) | -30...+80 °C |
| Temperature range (mobile) | -5...+80 °C |

General data

Temperature range -25...+85 °C, depending on cable quality

Technical Data

| | |
|-------------------------------|--|
| Operating voltage | max. 250 V AC/DC |
| Operating current per contact | max. 4 A |
| Locking of ports | Quick connection, 1/4 turn |
| Protection | IP67 inserted and tightened (EN 60529) |

Commercial data

| | |
|------------------------|----------|
| country of origin | DE |
| customs tariff number | 85444290 |
| minimum order quantity | 1 |