

**MQ12 FEMALE 90° LED**

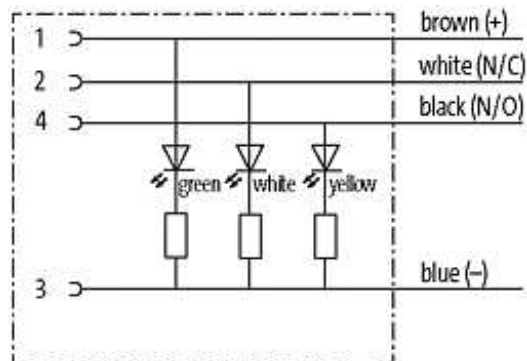
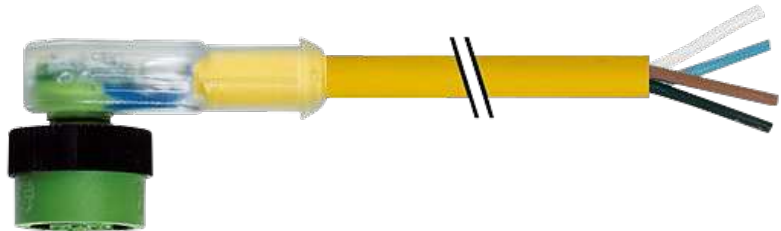
PVC 4X0.34 YELLOW, 5m

MQ12

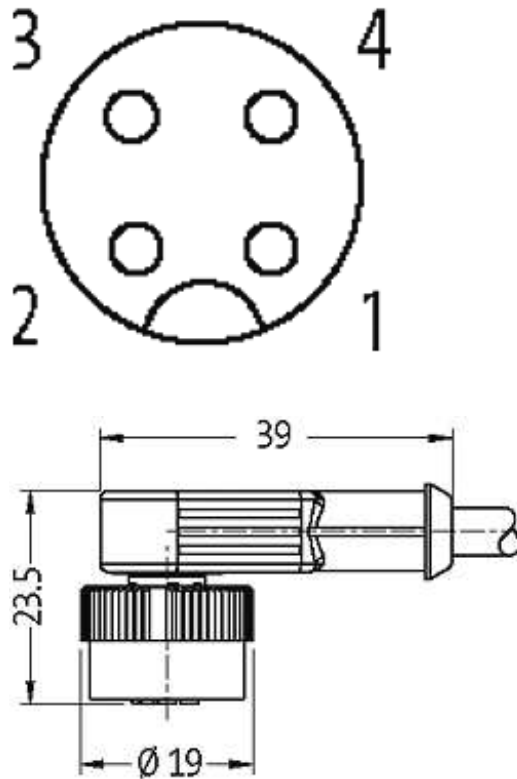
Female 90°

4-pole with 3 × LED (PNP)

Further cable lengths on request. Plastic housings with good resistance against chemicals and oils. The resistance to aggressive media should be individually tested for your application. Further details on request.

[Link to Product](#)**Illustration**

# Female



Product may differ from Image

## Approvals



## Form

Form 12421

## Cables

Cable number	014
No./diameter of wires	4 × 0.34 mm <sup>2</sup>
Wire isolation	PVC (br, wh, bl, bk)
Jacket Color	yellow
Shore hardness outer jacket	85 ± 5A
Material (jacket)	PVC (UL/CSA)
Outer Ø	approx. 5.0 mm
Bend radius (fixed)	5 × outer Ø
Bend radius (moving)	10 × outer Ø
Temperature range (fixed)	-30...+80 °C

Temperature range (mobile) -5...+80 °C

**General data**

Temperature range -25...+85 °C, depending on cable quality

**Technical Data**

Operating voltage 24 V DC  $\pm 25\%$

Operating current per contact max. 4 A

Locking of ports Quick connection, 1/4 turn

Protection IP67 inserted and tightened (EN 60529)

**Commercial data**

country of origin DE

customs tariff number 85444290

minimum order quantity 1