

MQ12 FEMALE 90° LED

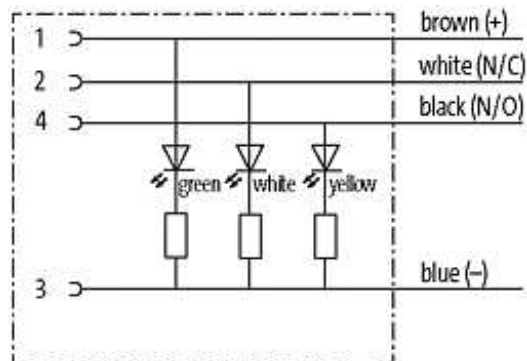
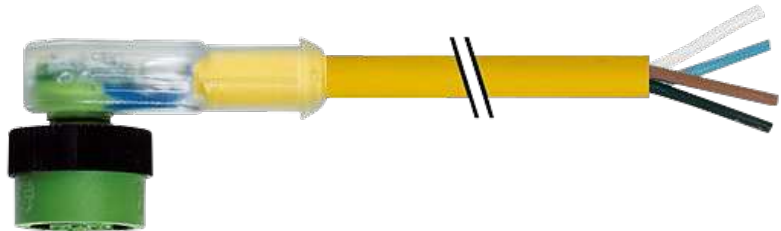
PVC 4X0.34 YELLOW, 10m

MQ12

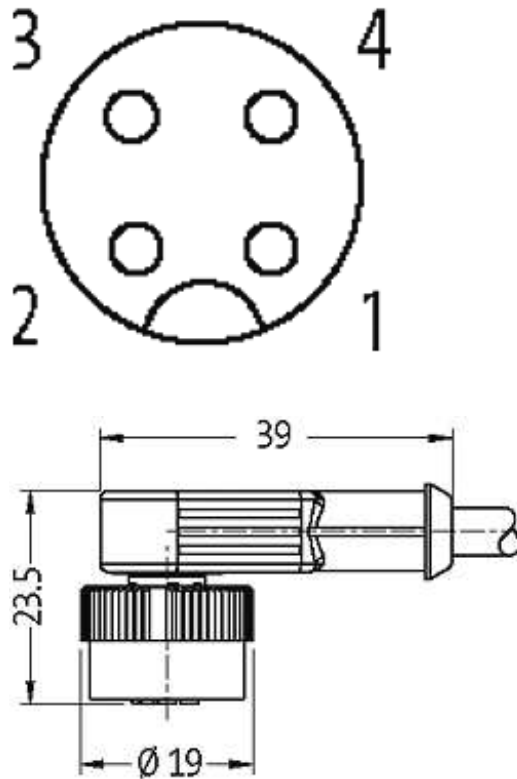
Female 90°

4-pole with 3 × LED (PNP)

Further cable lengths on request. Plastic housings with good resistance against chemicals and oils. The resistance to aggressive media should be individually tested for your application. Further details on request.

[Link to Product](#)**Illustration**

Female



Product may differ from Image

Approvals



Form

Form 12421

Cables

Cable number	014
No./diameter of wires	4 × 0.34 mm ²
Wire isolation	PVC (br, wh, bl, bk)
Jacket Color	yellow
Shore hardness outer jacket	85 ± 5A
Material (jacket)	PVC (UL/CSA)
Outer Ø	approx. 5.0 mm
Bend radius (fixed)	5 × outer Ø
Bend radius (moving)	10 × outer Ø
Temperature range (fixed)	-30...+80 °C

Temperature range (mobile)	-5...+80 °C
----------------------------	-------------

General data

Temperature range	-25...+85 °C, depending on cable quality
-------------------	--

Technical Data

Operating voltage	24 V DC ±25 %
-------------------	---------------

Operating current per contact	max. 4 A
-------------------------------	----------

Locking of ports	Quick connection, 1/4 turn
------------------	----------------------------

Protection	IP67 inserted and tightened (EN 60529)
------------	--

Commercial data

country of origin	DE
-------------------	----

customs tariff number	85444290
-----------------------	----------

minimum order quantity	1
------------------------	---