

M12 female 0° with cable

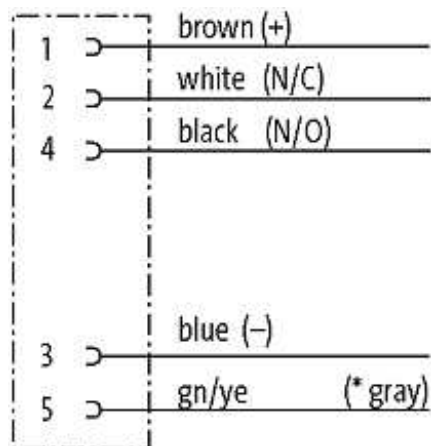
TPE 5xAWG18 ye UL/CSA+drag chain 4m

M12
Female straight
5-pole
USA

Plastic housings with good resistance against chemicals and oils. The resistance to aggressive media should be individually tested for your application. Further details on request. Further cable lengths on request.

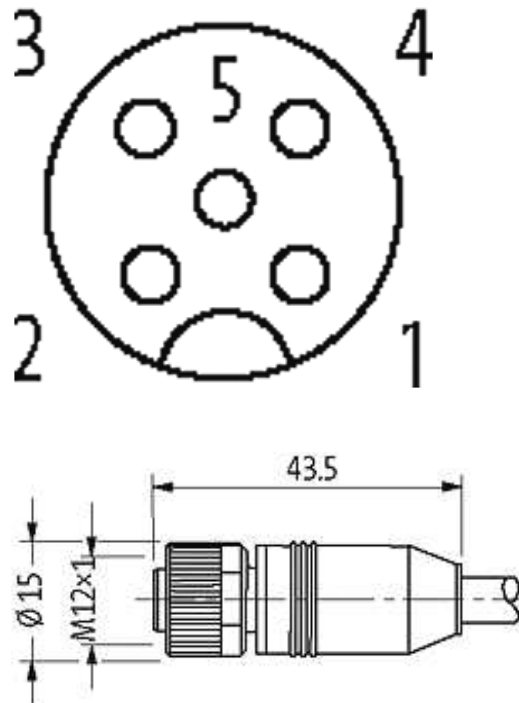
[Link to Product](#)

Illustration



(* for cable type 162)

Female



Product may differ from Image

Approvals



Form

Form 12241

Cables

| | |
|-----------------------------|----------------------------|
| Cable number | 161 |
| No./diameter of wires | 5 × AWG18 |
| Wire isolation | PVC (br, wh, bl, bk, gnye) |
| C-track properties | 2 Mio. |
| Jacket Color | yellow |
| Shore hardness outer jacket | 90 ± 5A |
| Material (jacket) | TPE (UL, CSA, ITC, PLTC) |
| Outer Ø | approx. 7.2 mm |
| Bend radius (fixed) | 10 × outer Ø |
| Bend radius (moving) | 15 × outer Ø |
| Temperature range (fixed) | -40...+105 °C |
| Temperature range (mobile) | -20...+105 °C |

The information in this brochure has been compiled with the utmost care.

Liability for the correctness completeness and topicality of the information is restricted to gross negligence. Version: 05/16

Technical Data

| | |
|-------------------------------|---|
| Operating voltage | max. 125 V AC/DC |
| Operating current per contact | max. 4 A |
| Coding | M12, A-coded |
| Locking of ports | Screw thread M12 × 1 mm (recommended torque 0.6 Nm) self-securing |
| Compression gland | M12 (SW13) |
| Protection | IP66K, IP67 inserted and tightened (EN 60529) |
| Locking material | Zinc die casting, matte nickel plated |
| Material | PUR |

Commercial data

| | |
|------------------------|----------|
| country of origin | DE |
| customs tariff number | 85444290 |
| minimum order quantity | 1 |