

**M8 FEMALE 90°**

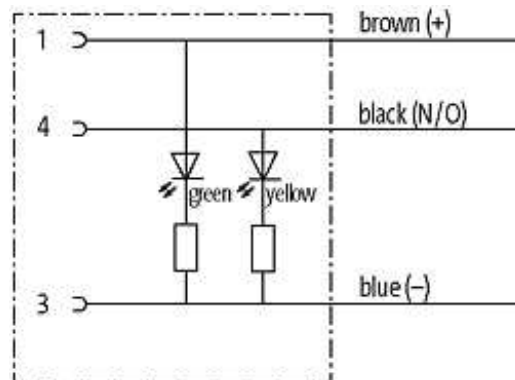
PUR 3X0.34 black UL/CSA, drag ch 1.5m

M8

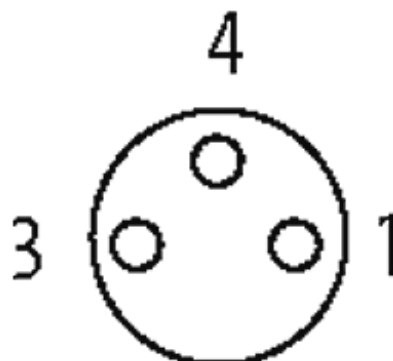
Female 90°

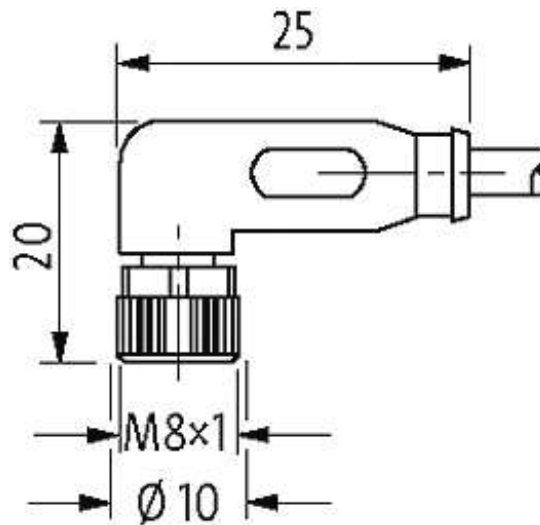
3-pole with 2 × LED (PNP)

Plastic housings with good resistance against chemicals and oils. The resistance to aggressive media should be individually tested for your application. Further details on request. Further cable lengths on request.

[Link to Product](#)**Illustration**

Female





Product may differ from Image

### Approvals



\* only for products with UL/CSA approved cable

### Form

Form 08121

### Cables

|                             |                          |
|-----------------------------|--------------------------|
| Cable number                | 633                      |
| No./diameter of wires       | 3 × 0.34 mm <sup>2</sup> |
| Wire isolation              | PP (br, bl, bk)          |
| C-track properties          | 5 Mio.                   |
| Torsion                     | 2 Mio. ± 180°/m          |
| Jacket Color                | black                    |
| Shore hardness outer jacket | 90 ± 5A                  |
| Material (jacket)           | PUR (UL/CSA)             |
| Outer Ø                     | approx. 4.3 mm           |
| Bend radius (fixed)         | 5 × outer Ø              |
| Bend radius (moving)        | 10 × outer Ø             |
| Temperature range (fixed)   | -40...+80 °C             |
| Temperature range (mobile)  | -25...+80 °C             |

### Technical Data

|                               |               |
|-------------------------------|---------------|
| Operating voltage             | 24 V DC ±25 % |
| Operating current per contact | max. 4 A      |

|                  |  |
|------------------|--|
| Locking of ports | Screw thread M8 × 1 mm (recommended torque 0.4 Nm) self-securing |
|------------------|--|

|            |   |
|------------|---|
| Protection | IP66K, IP67 inserted and tightened (EN 60529) |
|------------|---|

**Commercial data**

|                   |    |
|-------------------|----|
| country of origin | DE |
|-------------------|----|

|                       |          |
|-----------------------|----------|
| customs tariff number | 85444290 |
|-----------------------|----------|

|                        |     |
|------------------------|-----|
| minimum order quantity | 100 |
|------------------------|-----|