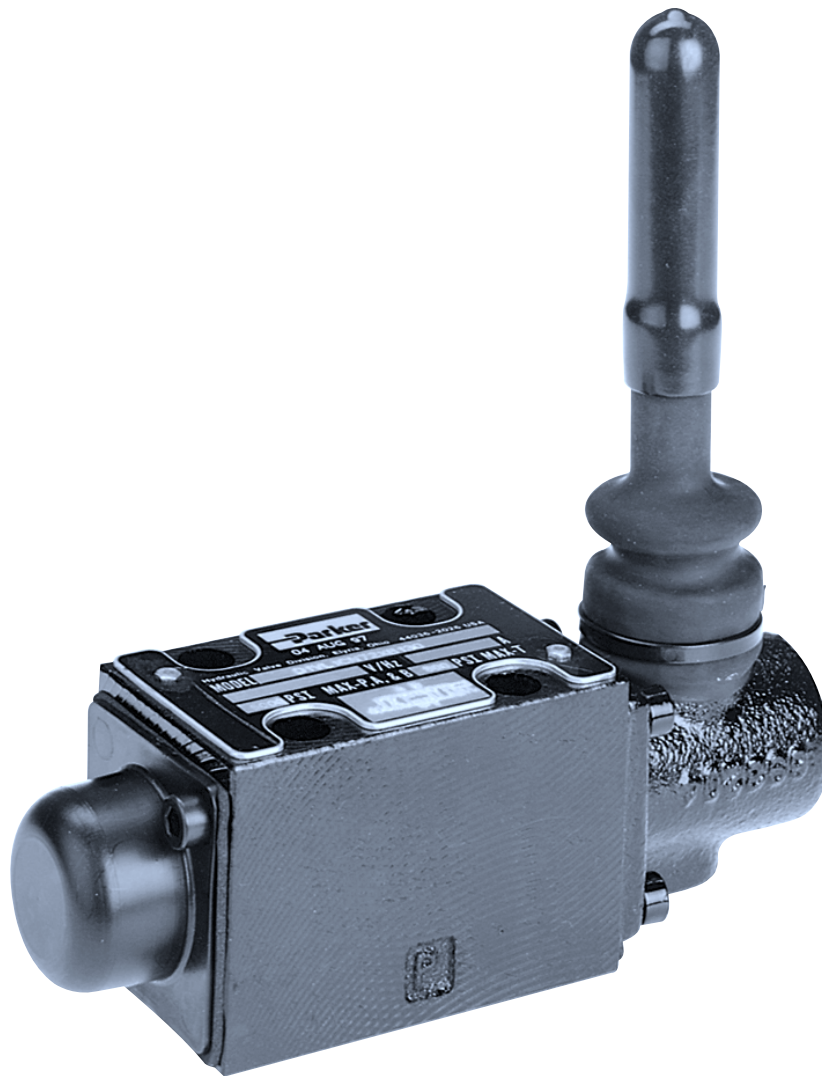




Bulletin 2531-M11/USA
Service Bulletin

Series D1VL

Effective: March 23, 1998



Model Code 1

Parts Data

 D1VL*B*** 2

 D1VL*C*** 3

 D1VL*D***, D1VL*N*** 4

 D1VL*E*** 5

 D1VL*H*** 6

 D1VL*K*** 7

Spool Chart 8

Troubleshooting Guide 9

 **WARNING**

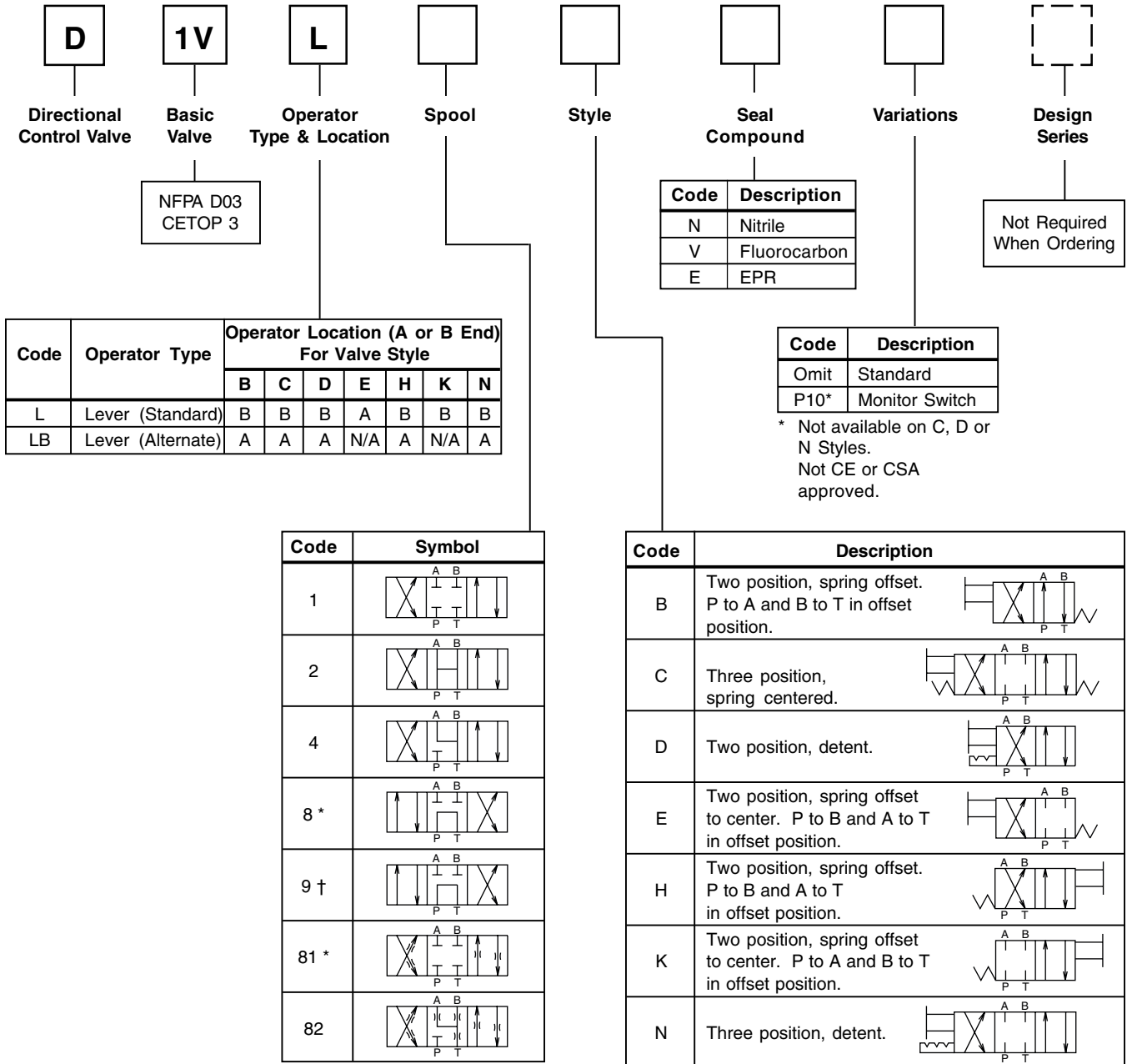
FAILURE OR IMPROPER SELECTION OR IMPROPER USE OF THE PRODUCTS AND/OR SYSTEMS DESCRIBED HEREIN OR RELATED ITEMS CAN CAUSE DEATH, PERSONAL INJURY AND PROPERTY DAMAGE.

This document and other information from Parker Hannifin Corporation, its subsidiaries and authorized distributors provide product and/or system options for further investigation by users having technical expertise. It is important that you analyze all aspects of your application and review the information concerning the product or system in the current product catalog. Due to the variety of operating conditions and applications for these products or systems, the user, through its own analysis and testing, is solely responsible for making the final selection of the products and systems and assuring that all performance, safety and warning requirements of the application are met.

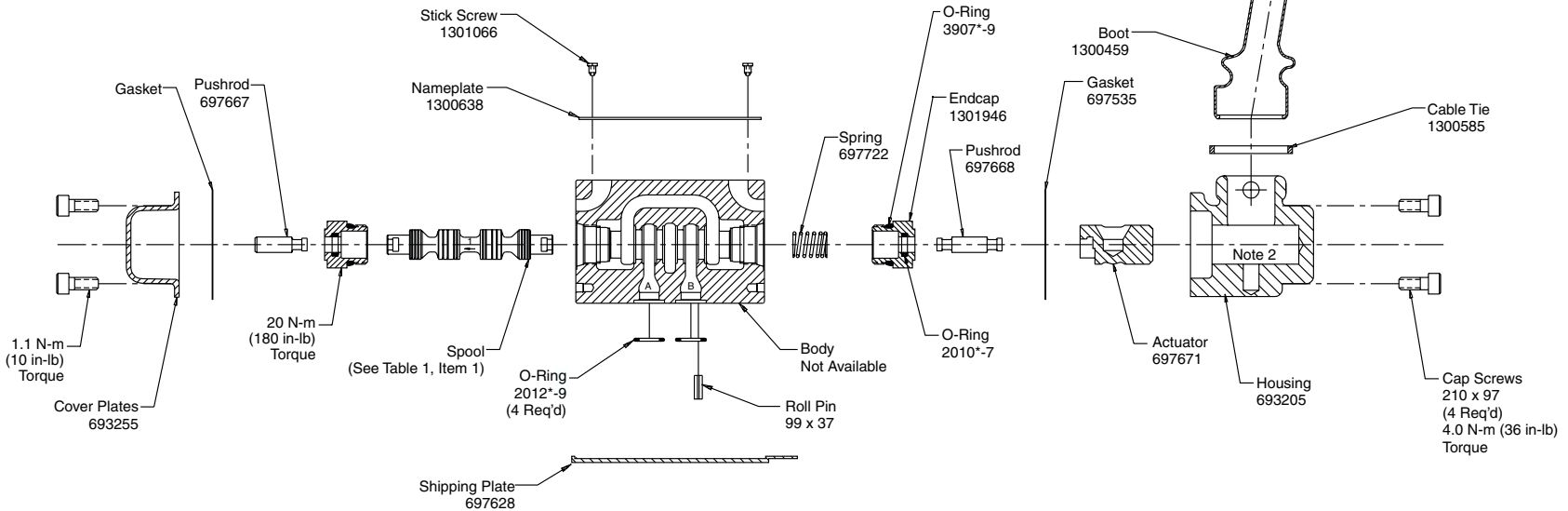
The products described herein, including without limitation, product features, specifications, designs, availability and pricing, are subject to change by Parker Hannifin Corporation and its subsidiaries at any time without notice.

Offer of Sale

The items described in this document are hereby offered for sale by Parker Hannifin Corporation, its subsidiaries or its authorized distributors. This offer and its acceptance are governed by the provisions stated in the "Offer of Sale".



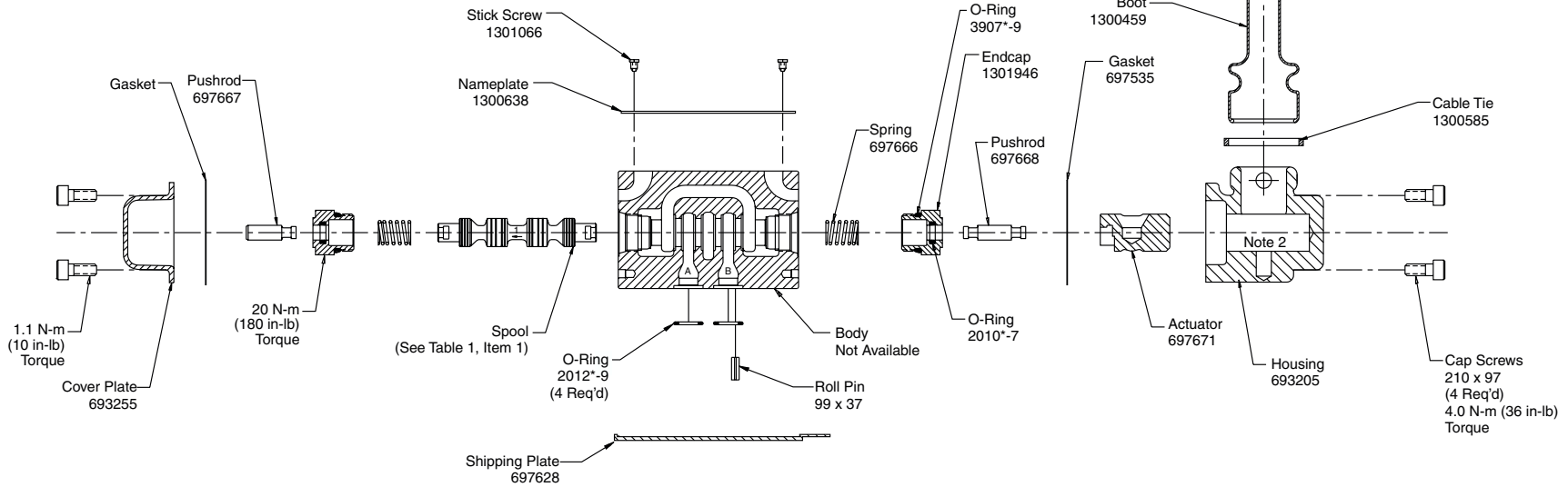
Code	Item	Part Number	Qty	Description
1	1	697701	1	#1 Spool
2	1	697702	1	#2 Spool
4	1	697704	1	#4 Spool
8	1	697708	1	#8 Spool
9	1	1800004	1	#9 Spool
81	1	1301168	1	#81 Spool
82	1	1301215	1	#82 Spool



Lever Operated Model

NOTES:
 1) * Indicates Seal Compound. N-Nitrile, V-Fluorocarbon, E-EPR.
 2) Coat bore with Molycoat 55M grease.

Code	Item	Part Number	Qty	Description
1	1	697701	1	#1 Spool
2	1	697702	1	#2 Spool
4	1	697704	1	#4 Spool
8	1	697708	1	#8 Spool
9	1	1800004	1	#9 Spool
81	1	1301168	1	#81 Spool
82	1	1301215	1	#82 Spool

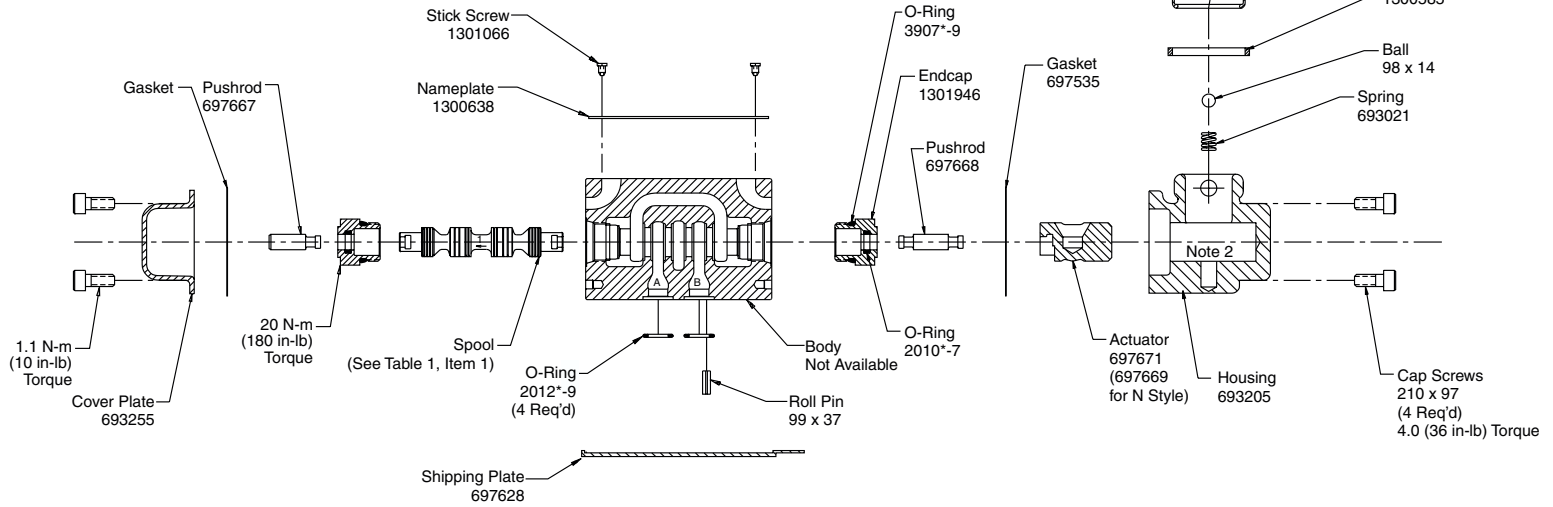


Lever Operated Model

NOTES:

- * Indicates Seal Compound. N-Nitrile, V-Fluorocarbon, E-EPR.
- Coat bore with Molycoat 55M grease.

Code	Item	Part Number	Qty	Description
1	1	697701	1	#1 Spool
2	1	697702	1	#2 Spool
4	1	697704	1	#4 Spool
8	1	697708	1	#8 Spool
9	1	1800004	1	#9 Spool
81	1	1301168	1	#81 Spool
82	1	1301215	1	#82 Spool

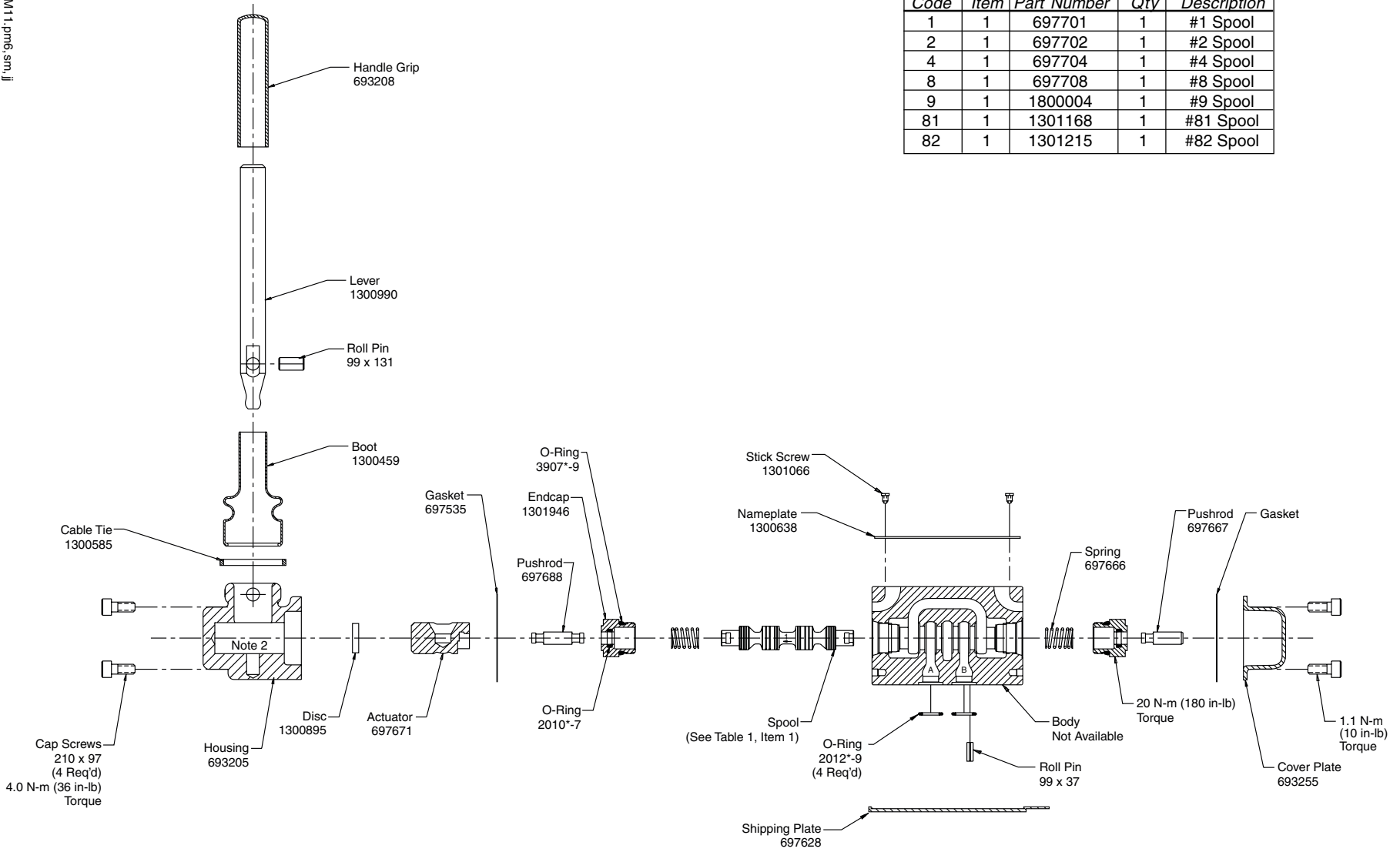


Lever Operated Model

NOTES:

- 1) * Indicates Seal Compound. N-Nitrile, V-Fluorocarbon, E-EPR.
- 2) Coat bore with Molycoat 55M grease.

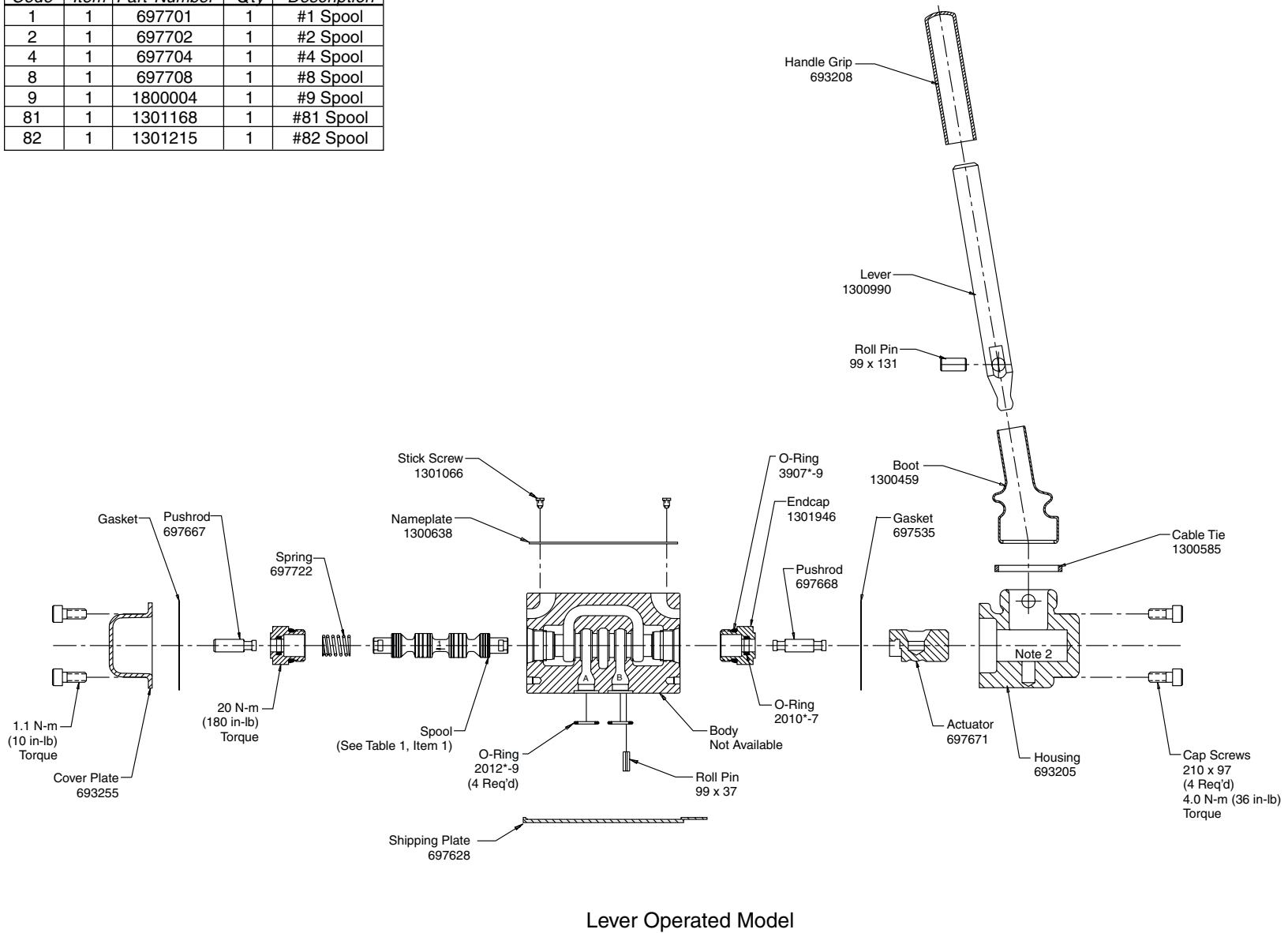
Code	Item	Part Number	Qty	Description
1	1	697701	1	#1 Spool
2	1	697702	1	#2 Spool
4	1	697704	1	#4 Spool
8	1	697708	1	#8 Spool
9	1	1800004	1	#9 Spool
81	1	1301168	1	#81 Spool
82	1	1301215	1	#82 Spool



Lever Operated Model

NOTES:
 1) * Indicates Seal Compound. N-Nitrile, V-Fluorocarbon, E-EPR.
 2) Coat bore with Molycoat 55M grease.

Code	Item	Part Number	Qty	Description
1	1	697701	1	#1 Spool
2	1	697702	1	#2 Spool
4	1	697704	1	#4 Spool
8	1	697708	1	#8 Spool
9	1	1800004	1	#9 Spool
81	1	1301168	1	#81 Spool
82	1	1301215	1	#82 Spool

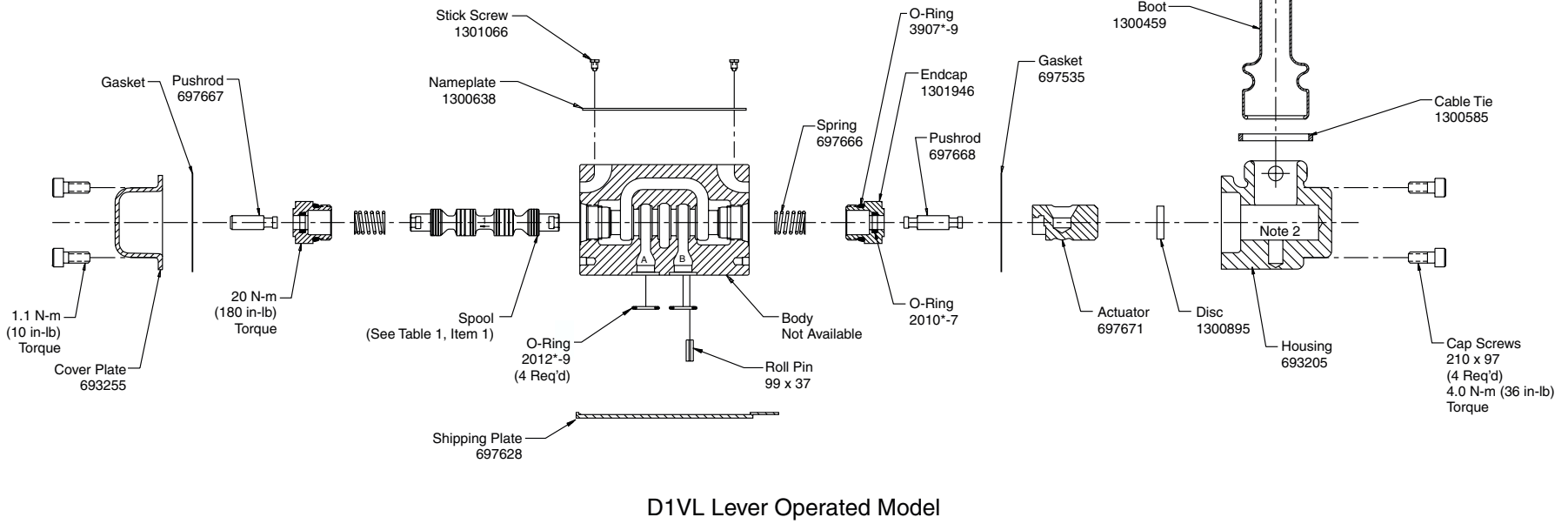


Lever Operated Model

NOTES:

- * Indicates Seal Compound. N-Nitrile, V-Fluorocarbon, E-EPR.
- Coat bore with Molycoat 55M grease.

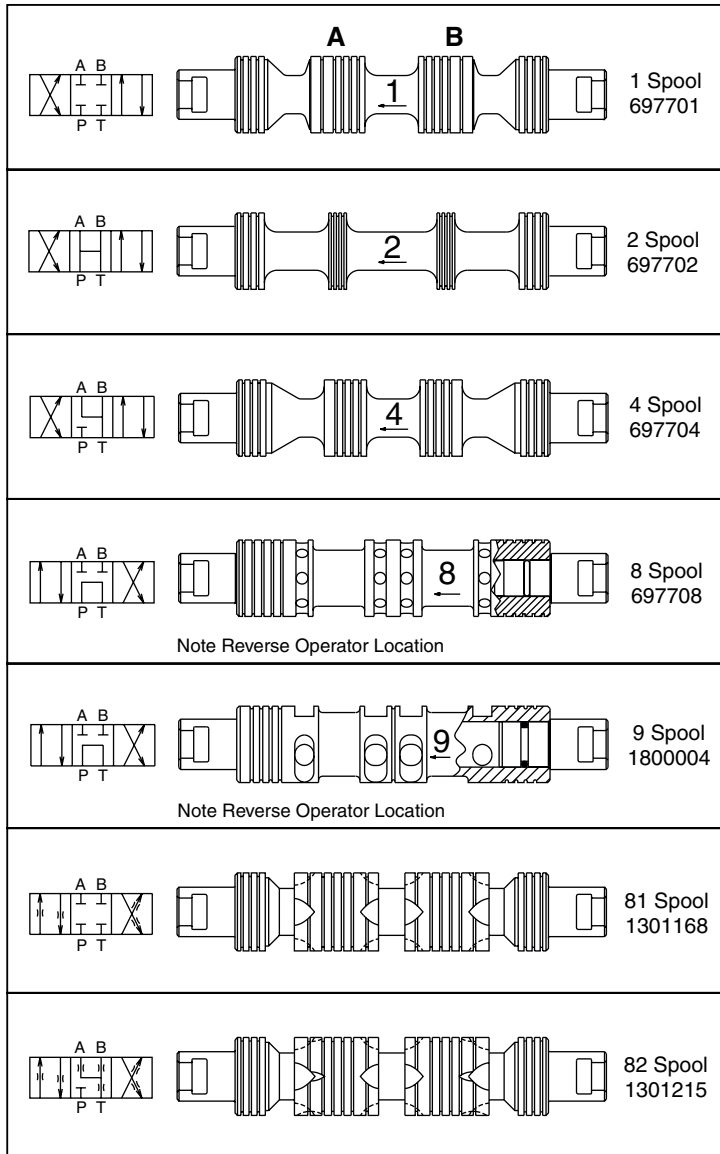
Code	Item	Part Number	Qty	Description
1	1	697701	1	#1 Spool
2	1	697702	1	#2 Spool
4	1	697704	1	#4 Spool
8	1	697708	1	#8 Spool
9	1	1800004	1	#9 Spool
81	1	1301168	1	#81 Spool
82	1	1301215	1	#82 Spool



D1VL Lever Operated Model

NOTES:

- * Indicates Seal Compound. N-Nitrile, V-Fluorocarbon, E-EPR.
- 2) Coat bore with Molycoat 55M grease.



Note: Spools 8 and 81 have closed crossover.
Spool 9 has open crossover.

Warning

Before any circuit connection is broken, be sure to turn off all power and relieve system pressure. Lower all vertical loads and cylinders, lock any load which could produce pressure and discharge any accumulators. Plug and cap all lines and openings to prevent contamination from entering the system.

Cleaning and Inspection

1. Proper cleaning is a critical part of preventive maintenance in the use of directional control valves. All parts should be cleaned with a solvent that is compatible with the system fluid. Compressed air may also work well when cleaning orifices and passage ways, but proper filtration must be employed to remove water and contamination.

NOTE: Always make sure all parts have been cleaned before reassembling.

2. Inspection

- a. Inspect all passage ways for obstructions.
- b. Inspect all washers, push pins, plungers and pole faces for signs of wear and/or mushrooming. Inspect all springs for signs of distortion. Replace parts as necessary.
- c. Look for nicks and burrs on the spool and bore lands. Nicks in these areas indicate likely contamination of the system fluid.

3. If there are no signs of nicks or burrs on the spool and bore, check the spool clearance as follows:

- a. Lubricate the spool and bore with clean system fluid.
- b. Insert the spool back into the body and slowly move the spool back and forth. The spool should move freely. If there is any sticking between the spool and the bore, remove the spool and repeat 2b.
- c. The spool clearance can also be checked by placing the valve body on end and inserting the spool. Gravity will pull the spool to the other end if there is no sticking.
- d. After several attempts have been made without resolution, replace the valve.

Troubleshooting

Problem: Valve spool fails to move

Cause	Recommendation
Recommended flow exceeded	Check maximum flow rate for appropriate spool by spool function.
Recommended pressure exceeded	Check maximum pressure rating for valve.
Improper installation connections	Check installation drawings.
Contamination in system	Disassemble, inspect, clean and flush.
Improper assembly	Check proper assembly. Refer to drawing for appropriate model.
Valve has silted	Disassemble and clean valve.

Problem: Valve produces undesirable response

Cause	Recommendation
Recommended flow exceeded	Check maximum flow rate for appropriate spool by spool function.
Recommended pressure exceeded	Check maximum pressure rating for valve.
Improper installation connections	Check installation drawings.
Contamination in system	Disassemble, inspect, clean and flush.
Improper assembly	Check proper assembly. Refer to drawing for appropriate model.
Improper fluid	Check fluid recommendations.
Recommended temperature exceeded (indicated by fluid discoloration or spool tarnishing)	Check maximum temperature recommendations.



Parker Hannifin Corporation
Hydraulic Valve Division
520 Ternes Avenue
Elyria, Ohio 44035 USA
Tel: (440) 366-5200
Fax: (440) 366-5253
Web Site: <http://www.parker.com/hydraulicvalve>

Bulletin 2531-M11/USA,
5M, 3/98, PHD