

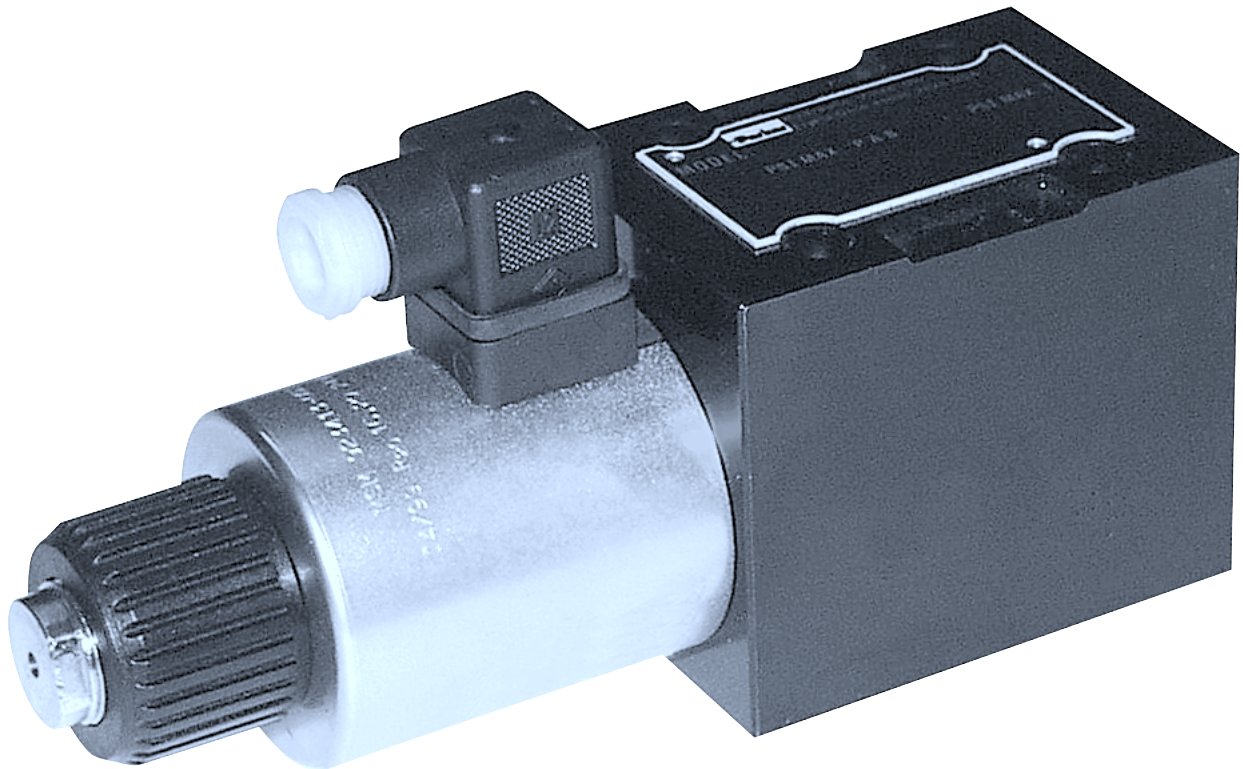


Bulletin 2542-M6/USA  
Service Bulletin

# Series D3DW, H Style

Effective: January 1, 2000

---



 **WARNING**

FAILURE OR IMPROPER SELECTION OR IMPROPER USE OF THE PRODUCTS AND/OR SYSTEMS DESCRIBED HEREIN OR RELATED ITEMS CAN CAUSE DEATH, PERSONAL INJURY AND PROPERTY DAMAGE.

This document and other information from Parker Hannifin Corporation, its subsidiaries and authorized distributors provide product and/or system options for further investigation by users having technical expertise. It is important that you analyze all aspects of your application and review the information concerning the product or system in the current product catalog. Due to the variety of operating conditions and applications for these products or systems, the user, through its own analysis and testing, is solely responsible for making the final selection of the products and systems and assuring that all performance, safety and warning requirements of the application are met.

The products described herein, including without limitation, product features, specifications, designs, availability and pricing, are subject to change by Parker Hannifin Corporation and its subsidiaries at any time without notice.

**Offer of Sale**

The items described in this document are hereby offered for sale by Parker Hannifin Corporation, its subsidiaries or its authorized distributors. This offer and its acceptance are governed by the provisions stated in the "Offer of Sale".

© Copyright 2000, Parker Hannifin Corporation, All Rights Reserved

2542-M6.p65, dd, am

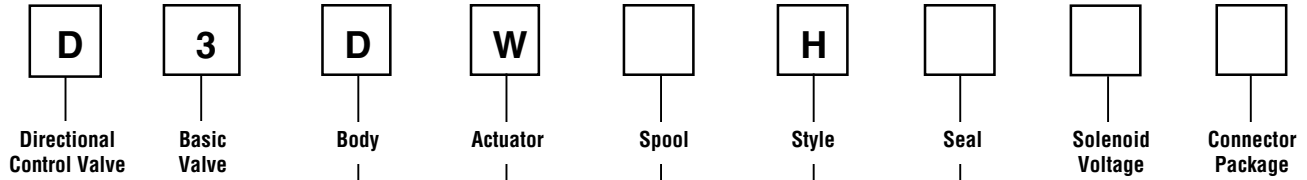
**Contents**

---

<b>Ordering Information</b> .....	1-2
<b>Parts Data</b> .....	3-4
D3DW*H**P**, D3DW*H**W** .....	3
D3DW*H**S** .....	4
<b>Technical Information</b> .....	5-6
Spool Chart .....	6
<b>Troubleshooting Guide</b> .....	7-8

**Ordering Information**

**Directional Control Valves  
Series D3DW, H Style**



NFPA D05  
CETOP 5  
NG 10

Wet armature  
solenoid

Code	Description
N	Nitrile
V	Fluorocarbon

5-Chamber  
Body

Code	Symbol
20*	
26*	
30**	

\* 20 & 26 spool have closed crossover.  
\*\* 30 spool has open crossover.

Code	Description
K	12 VDC
J	24 VDC
D	120 VDC
Z	250 VDC

Code	Description
P	Hirschmann w/Plug
W*	Hirschmann w/o Plug
S	Double Spade

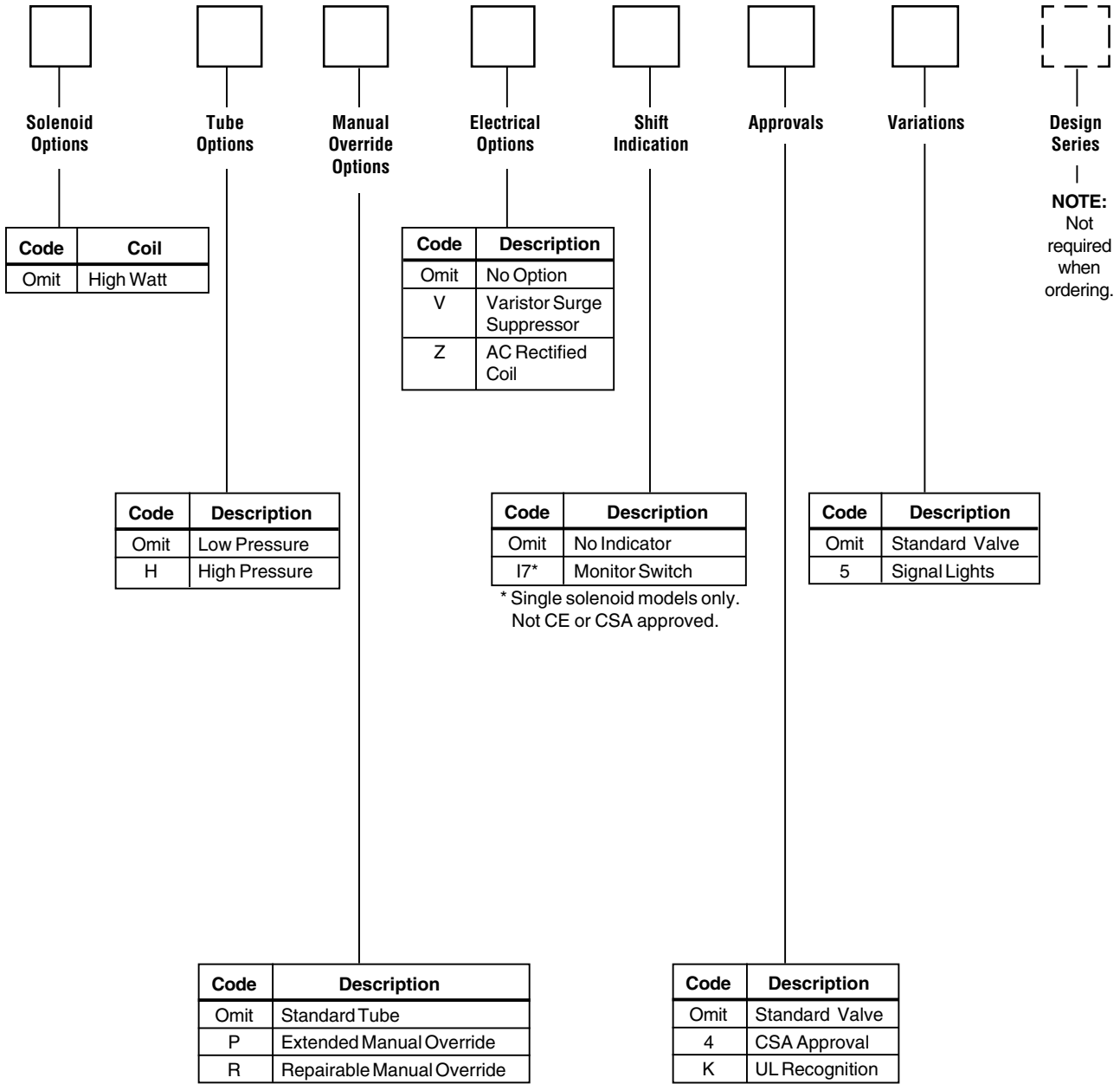
\* Not available with signal lights.

Code	Description
H*	Single solenoid, 2 position, spring offset. P to B and A to T in offset position.

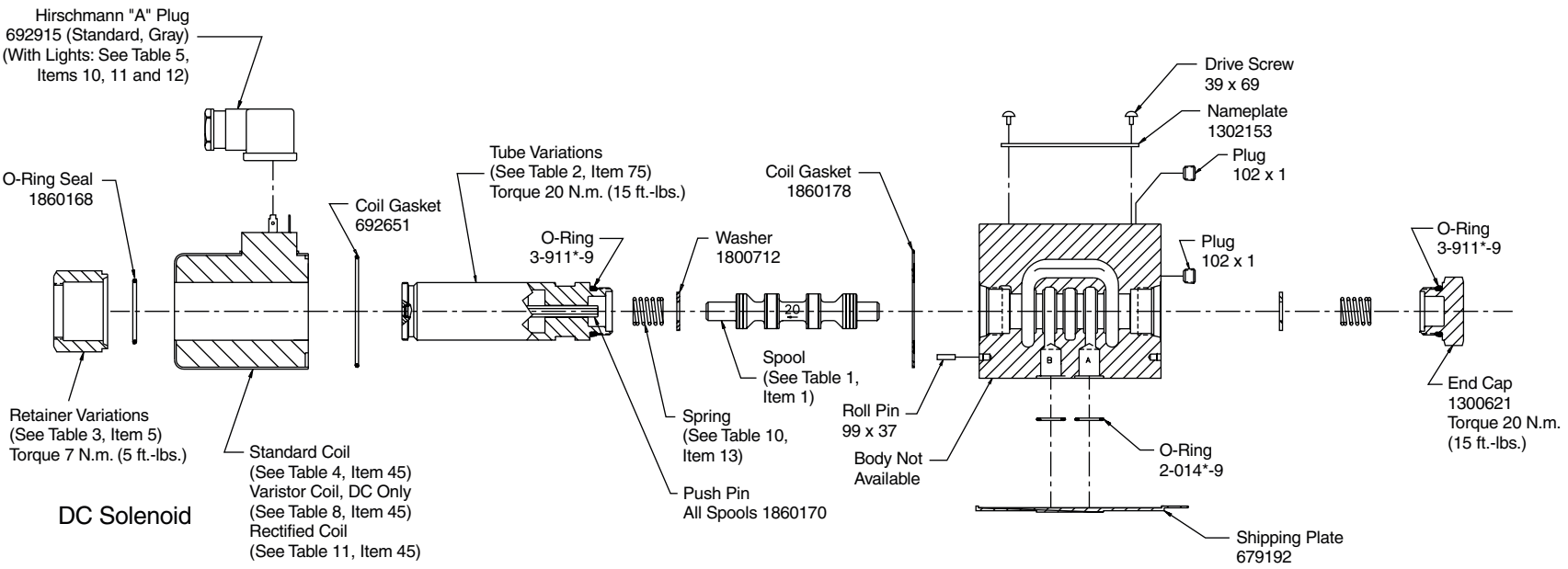
\* Only spools 20, 26 & 30.

**Ordering Information**

**Directional Control Valves  
Series D3DW, H Style**



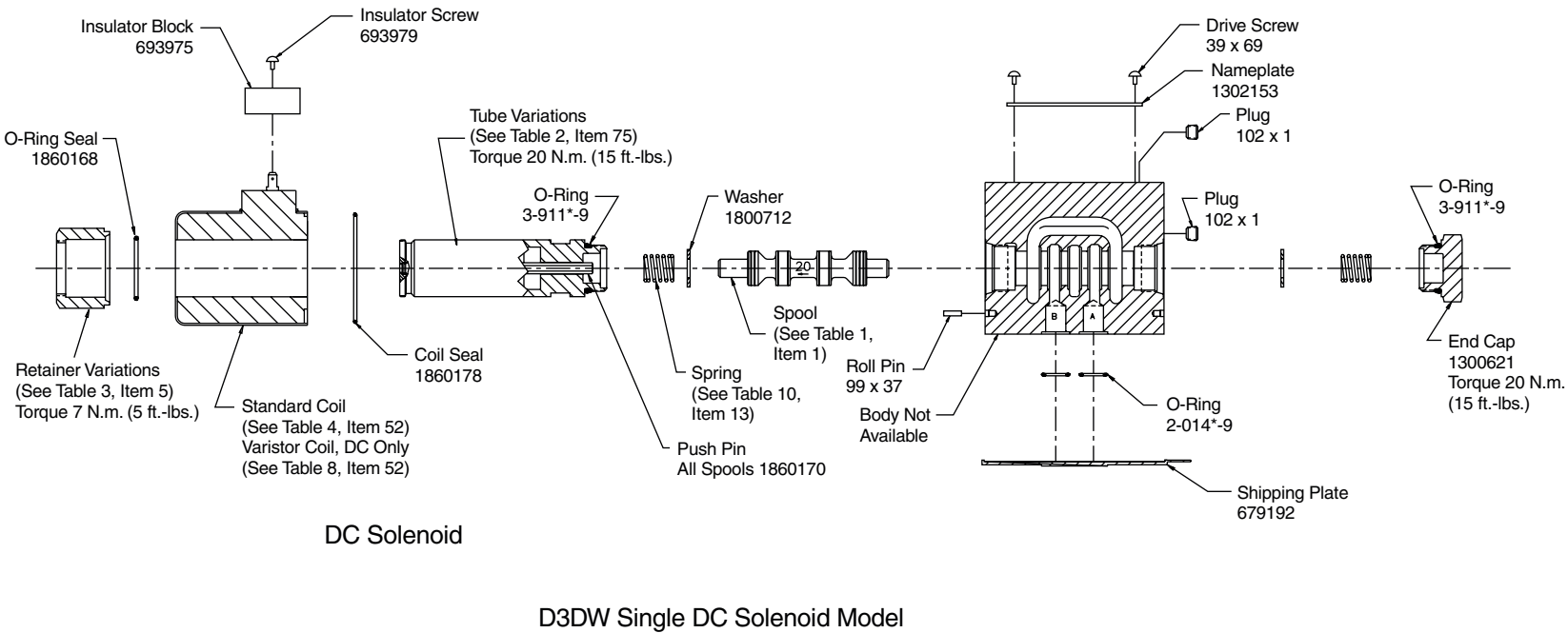
<b>Valve Weight:</b>
Single Solenoid 5.3 kg (11.6 lbs)
<b>Standard Bolt Kit:</b>
BK98



D3DW Single DC Solenoid Model

NOTES:

1) \* Indicates Seal Compound: N-Nitrile, V-Fluorocarbon.



**NOTES:**

1) \* Indicates Seal Compound: N-Nitrile, V-Fluorocarbon.



CODE	ITEM	PART NUMBER	QTY	DESCRIPTION
20	1	1300620	1	#20 SPOOL
26	1	1302049	1	#26 SPOOL
30	1	1300630	1	#30 SPOOL



CODE	ITEM	PART NUMBER	QTY	DESCRIPTION
OMIT or F	75	1860163	1	TUBE 1500 PSI
H	75	1860151	1	TUBE 3000 PSI
P or FP	75	1860165	1	EXTENDED TUBE 1500 PSI
R or FR	75	1860166	1	REPAIRABLE TUBE 1500 PSI

**NOTES:**

ARROW POINTS TOWARD SOLENOID END OF BODY.

26 SPOOL AVAILABLE IN RECTIFIED AC OR HIGH WATT DC ONLY.

CODE	ITEM	PART NUMBER	QTY	DESCRIPTION
ALL EXCEPT R,S,P & T	5	1860167	1	STANDARD RETAINER
P or FP HP or FHP	5	1860171	1	EXTENDED OVERRIDE RETAINER
		697161		EXTENDED OVERRIDE BOOT
ALL R ALL S	5	1860167	1	REPAIRABLE OVERRIDE RETAINER
ALL T	5	1860182	1	TAMPERPROOF RETAINER

SOL CONNECTION	P/W (HIRSCHMANN)	S (DUAL SPADE)
ITEM	45	52

CODE	DESCRIPTION	QTY	PART NUMBER	PART NUMBER
K*	12 VDC, 36 WATT	1	1860152-K	1860160-K
K*F	12 VDC, 18 WATT (LOW WATT)	1	1860153-K	1860161-K
J*	24 VDC, 36 WATT	1	1860152-J	1860160-J
J*F	24 VDC, 18 WATT (LOW WATT)	1	1860153-J	1860161-J
D*	120 VDC	1	1860152-D	1860160-D
Z*	250 VDC	1	1860152-Z	1860160-Z

CODE	ITEM	PART NUMBER	QTY	DESCRIPTION
ALL PLUGS (*P*5)	10	A697047	A/R	LABEL - "A" SOLENOID
	11	A697048	A/R	LABEL - "B" SOLENOID
KP*5	12	B694935	1	PLUG WITH LIGHT, 12V
JP*5		B694935	1	PLUG WITH LIGHT, 24V
DP*5		B694936	1	PLUG WITH LIGHT, 100-120V



**Table 8 (Varistor Coils, DC Only)**

Table 8 (Varistor Coils, DC Only)				
SOL CONNECTION		P/W (HIRSCHMANN)	S (DUAL SPADE)	
ITEM		45	52	
CODE	DESCRIPTION	QTY	PART NUMBER	PART NUMBER
K*	12 VDC	1	1860155-K	1860162-K
J*	24 VDC	1	1860155-J	1860162-J
D*	120 VDC	1	1860155-D	1860162-D
Z*	250 VDC	1	1860155-Z	1860162-Z

**Table 9 (Explosion Proof Coils)**

Table 9 (Explosion Proof Coils)				
SOL CONNECTION		D (CENELEC)	U (UL & CSA)	
ITEM		7	7	
CODE	DESCRIPTION	QTY	PART NUMBER	PART NUMBER
KE	12 VDC	1	1302310-K	1302308-K
JE	24 VDC	1	1302310-J	1302308-J
DE	120 VDC	1	1302310-D	1302308-D
ZE	250 VDC	1	1302310-Z	1302308-Z

**Table 10 (Springs)**

CODE	ITEM	PART NUMBER	QTY	DESCRIPTION
ALL	13	1800683	1	SPRING FOR SPOOL 26
		1800684		SPRING FOR SPOOLS 20 AND 30

**Table 11 (Rectified Coils)**

SOL CONNECTION		P/W (HIRSCHMANN)		
ITEM		45		
CODE	DESCRIPTION	QTY	PART NUMBER	
Y*	120/110, 32 WATT	1	1860154-Y	
T*	240/220, 32 WATT	1	1860154-T	

**Solenoid Ratings\*\***

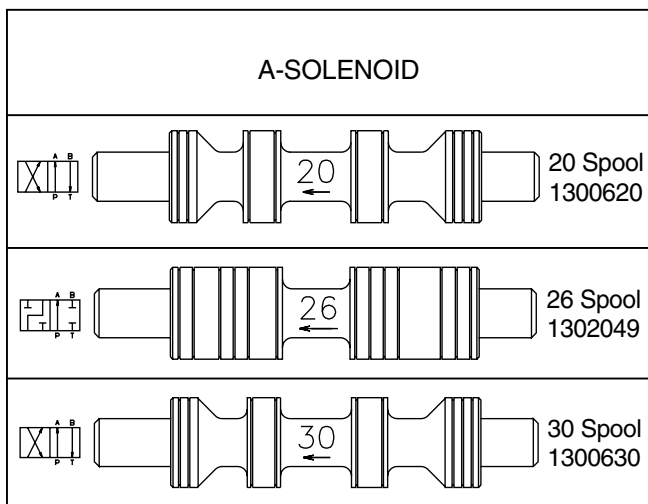
<b>Insulation</b>	Class H
<b>Allowable Deviation from rated voltage</b>	-10% to +15%
<b>Armature</b>	Wet pin type

\*\* DC Solenoids available with optional molded metal oxide varistor (MOV) for surge suppression.  
 Leadwire length 6" from coil face.

**D3W Solenoid Electrical Characteristics**

Solenoid Code	Nominal Volts	In Rush Amps	Holding Amps	Nominal Watts (Ref)
K	12 VDC	—	3.00	36
J	24 VDC	—	1.50	36
D	120 VDC	—	0.30	36
Z	250 VDC	—	0.14	36

**Spoos**



Note: Spools 20 and 26 are closed crossover.  
 Spool 30 is open crossover.

## Warning

Before any circuit connection is broken, be sure to turn off all power and relieve system pressure. Lower all vertical loads and cylinders, lock any load which could produce pressure and discharge any accumulators. Plug and cap all lines and openings to prevent contamination from entering the system.

## Cleaning and Inspection

1. Proper cleaning is a critical part of preventive maintenance in the use of directional control valves. All parts should be cleaned with a solvent that is compatible with the system fluid. Compressed air may also work well when cleaning orifices and passage ways, but proper filtration must be employed to remove water and contamination.

**NOTE:** Always make sure all parts have been cleaned before reassembling.

2. Inspection

- a. Inspect all passage ways for obstructions.
- b. Inspect all washers, push pins, plungers and pole faces for signs of wear and/or mushrooming. Inspect all springs for signs of distortion. Replace parts as necessary.
- c. Look for nicks and burrs on the spool and bore lands. Nicks in these areas indicate likely contamination of the system fluid.

3. If there are no signs of nicks or burrs on the spool and bore, check the spool movement as follows:

- a. Lubricate the spool and bore with clean system fluid.
- b. Insert the spool back into the body and slowly move the spool back and forth. The spool should move freely. If there is any sticking between the spool and the bore, remove the spool and repeat 2a, 2c and 3a.
- c. The spool movement can also be checked by placing the valve body on end and inserting the spool. Gravity will pull the spool to the other end if there is no sticking.
- d. After several attempts have been made without resolution, replace the valve.

## Troubleshooting

### Problem: Valve spool fails to move

	Cause	Recommendation
<b>Mechanical</b>	Recommended flow exceeded	Check maximum flow rate for appropriate spool by spool function.
	Recommended pressure exceeded	Check maximum pressure rating for valve.
	Improper installation connections	Check installation drawings.
	Contamination in system	Disassemble, inspect, clean and flush.
	Improper assembly	Check proper assembly. Refer to drawing for appropriate model.
	Valve has silted	Disassemble and clean valve.
<b>Electrical</b>	Power off	Turn power on.
	Improper voltage	Check voltage requirements for valve model.
	Faulty connection	Check connections.
	Faulty coil	Check coil resistance.

**Problem: Valve produces undesirable response**

	<b>Cause</b>	<b>Recommendation</b>
<b>Mechanical</b>	Recommended flow exceeded	Check maximum flow rate for appropriate spool by spool function.
	Recommended pressure exceeded	Check maximum pressure rating for valve.
	Improper installation connections	Check installation drawings.
	Contamination in system	Disassemble, inspect, clean and flush.
	Improper assembly	Check proper assembly. Refer to drawing for appropriate model.
	Improper fluid	Check fluid recommendations.
	Recommended temperature exceeded (indicated by fluid discoloration or spool tarnishing)	Check maximum temperature recommendations.
	Incorrect orifice size (soft shift only)	Check orifice size for desired response time.
<b>Electrical</b>	Improper voltage	Check voltage requirements for valve model.
	Faulty connection	Check connections.
	Faulty coil	Check coil resistance.



**Parker Hannifin Corporation**  
Hydraulic Valve Division  
520 Ternes Avenue  
Elyria, Ohio 44035 USA  
Tel: (440) 366-5200  
Fax: (440) 366-5253  
Web Site: <http://www.parker.com/hydraulicvalve>

Bulletin 2542-M6/USA,  
5M, 1/00, PHD