



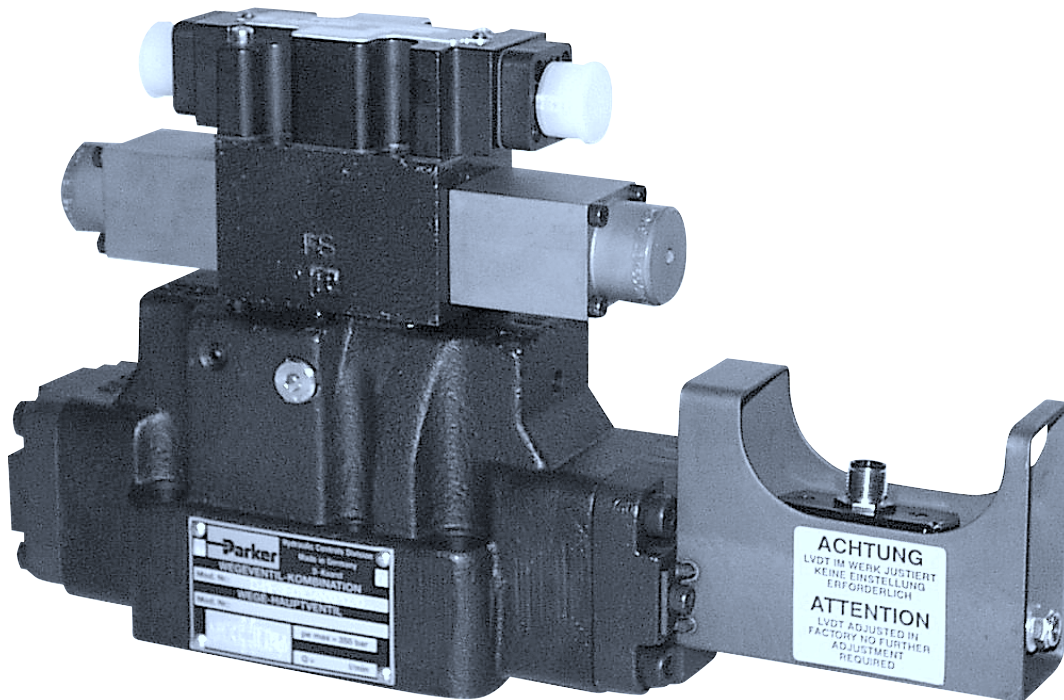
Bulletin 2562-M2/USA

# Series D41FS 30 Design Proportional Directional Control Valves

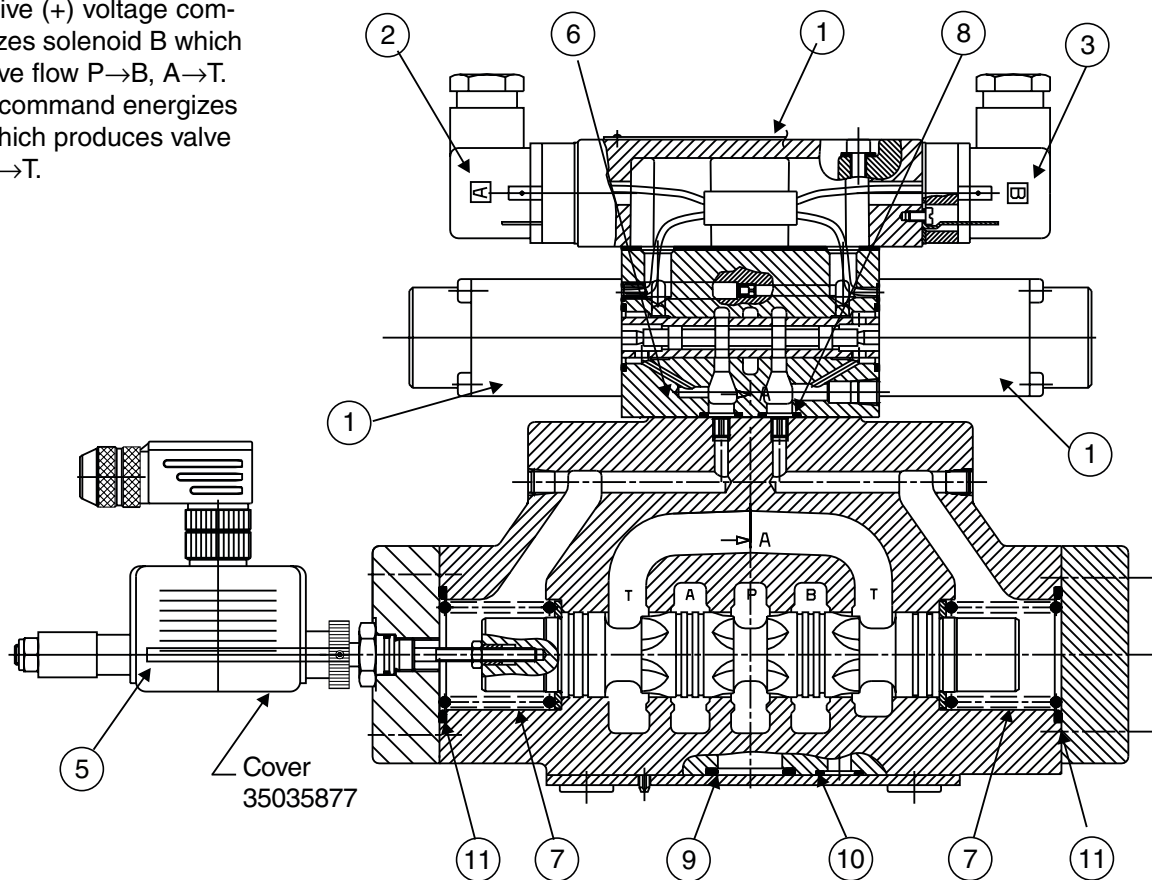
Effective: September 1, 2000

Supersedes: May 5, 1995

---

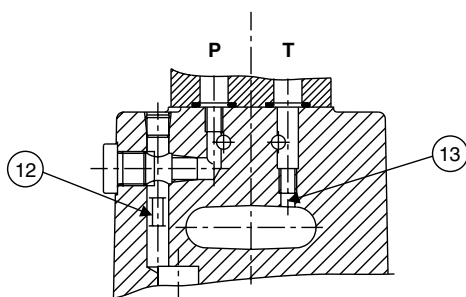


NOTE: Positive (+) voltage command energizes solenoid B which produces valve flow P→B, A→T. Negative (-) command energizes solenoid A which produces valve flow P→A, B→T.



**REPAIR PARTS**

Item	Qty	Part Number	Description	Item	Qty	Part Number	Description
1	1	D1FVE02BCVXP20	Pilot Valve	7	2	45051468	Spool Centering Spring
2	1	692915	Hirschmann Plug (gray)	8	4	2012*-9	O-Ring 2-012N552-90
3	1	692914	Hirschmann Plug (black)	9	5	2118*-9	O-Ring 2-118N552-90
5	1	1210503	LVDT Assembly w/ plug	10	2	2013*-9	O-Ring 2-013N552-90
6	4	M5 x 30	Pilot Valve Mtg. Bolt	11	2	2129*-9	O-Ring 2-129N552-90



**PILOT AND DRAIN CONFIGURATIONS**

Pilot (12)				Drain (13)		
Code	Qty	Part Number	Pilot	Qty	Part Number	Drain
1		—	Internal	1	5000471 (M6 x 6)	External
2	1	1/16 NPT	External	1	5000471 (M6 x 6)	External
4		—	Internal	—	—	Internal
5	1	1/16 NPT	External	—	—	Internal



**D** Directional Control Valve    **41** Size and Interface    **F** Proportional Flow Regulation    **S** With Position Transducer    **C** Flow Code    **X** Solenoid Voltage Connections    **P** Solenoid Connections    **0** Valve Accessory    Design Series (Not required for ordering)

Code	Description
41	DIN NG10 Cetop 7 NFPA D07-1/2"

Code	Ratio
E	QA = QB
A	QB > QA
B	QA > QB

Code	Flow Code
C	V-Notch

Code	Description
N	Nitrile
V	Fluorocarbon

Code	Solenoid Voltage
X	16VDC proportional solenoid

Code	Description
0	Standard, no accessories
2	Pressure Reducer**

**Spool with overlap  
Flow QA equal to flow QB  
Flow ratio to code E**

Code	Symbol
01	
02	
03	
04	
05	
06	
07	
08	

**Spool with overlap  
Flow QA unequal to flow QB  
Flow ratio to code A or B**

Code	Symbol*	Ratio Q
31		2 : 1
32		2 : 1
34		2 : 1
35		2 : 1

\*Symbols show spools to flow ratio Code "B"

Code	Supply	Drain
1	Internal	External
2	External	External
4	Internal	Internal
5	External	Internal

Code	Description
P	Hirschmann DIN 43650 with female plug

\*\* Pressure reducer is recommended when using internal pilot pressure and supply pressure is 3000 PSI or greater.

**D41FS Accessories**

Valve Size	Subplate	Port Size	Location	Max. Pressure	Bolt Kit
D41	SPD46SA	3/4-16 SAE	Side	345 Bar (5,000 PSI)	BK160

**Accessories for Boards**

Model	Description
K	Card Holder (31 Pin)
PS24	24 VDC, 4.5 amp, power supply

Use one Power Supply for each valve/driver. #PS24  
Valve Weight: 12.2 kg (27 lbs.)

Flow Ratio:

E = throttling area  
(P→A=A→T)=(P→B=B→T)

A = throttling area  
(P→B/B→T) > (P→A/A→T)

B = throttling area  
(P→A/A→T) > (P→B/B→T)

**D41FS Amplifier Boards**



Code	Size
16	D41

Code	Board Type
101	4 setpoints and Accel/Decel Ramps
102	± 10 VDC Input
104	± 10 VDC Input Min./Max. Adjust with Accel/Decel Ramps

 **WARNING**

FAILURE OR IMPROPER SELECTION OR IMPROPER USE OF THE PRODUCTS AND/OR SYSTEMS DESCRIBED HEREIN OR RELATED ITEMS CAN CAUSE DEATH, PERSONAL INJURY AND PROPERTY DAMAGE.

This document and other information from Parker Hannifin Corporation, its subsidiaries and authorized distributors provide product and/or system options for further investigation by users having technical expertise. It is important that you analyze all aspects of your application and review the information concerning the product or system in the current product catalog. Due to the variety of operating conditions and applications for these products or systems, the user, through its own analysis and testing, is solely responsible for making the final selection of the products and systems and assuring that all performance, safety and warning requirements of the application are met.

The products described herein, including without limitation, product features, specifications, designs, availability and pricing, are subject to change by Parker Hannifin Corporation and its subsidiaries at any time without notice.

**Offer of Sale**

The items described in this document are hereby offered for sale by Parker Hannifin Corporation, its subsidiaries or its authorized distributors. This offer and its acceptance are governed by the provisions stated in the "Offer of Sale".

© Copyright 1995, 2000, Parker Hannifin Corporation, All Rights Reserved



**Parker Hannifin Corporation**

Hydraulic Valve Division  
520 Ternes Avenue  
Elyria, Ohio 44035 USA

Tel: (440) 366-5200

Fax: (440) 366-5253

Web Site: <http://www.parker.com/hydraulicvalve>

Bulletin 2562-M2/USA,  
1M, 9/00, PHD