



**Bulletin HY14-2533-M7/US**  
**Service Bulletin**

**Series PR\*3\*\*\*12,13**  
**PR\*6\*\*\*12,13**

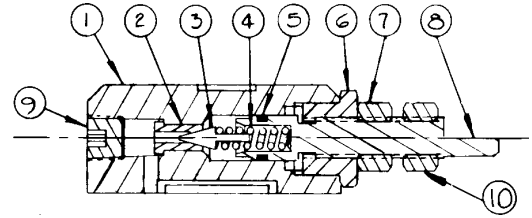
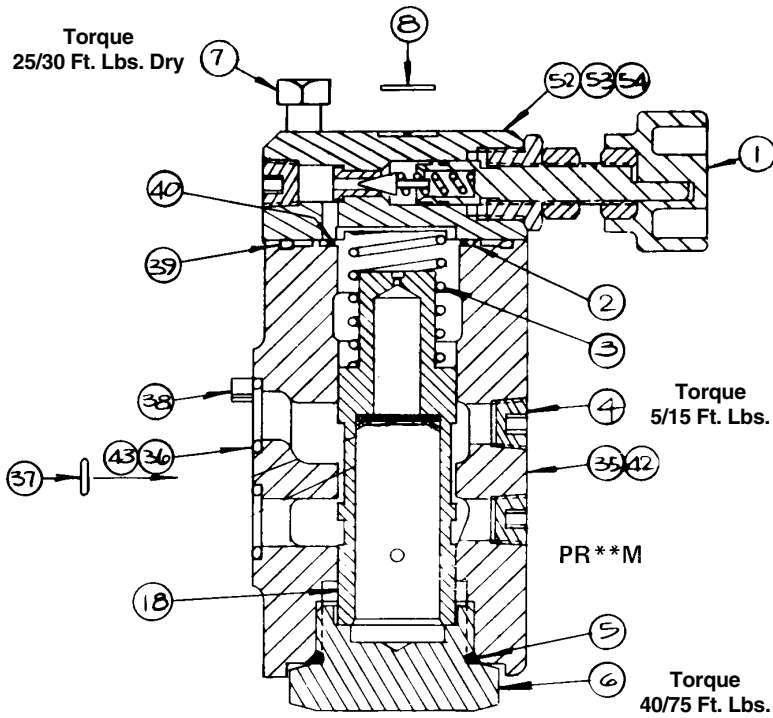
Effective: September 15, 2003  
Supersedes: Bulletin PC2255-01

---



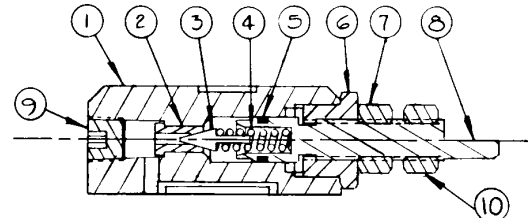
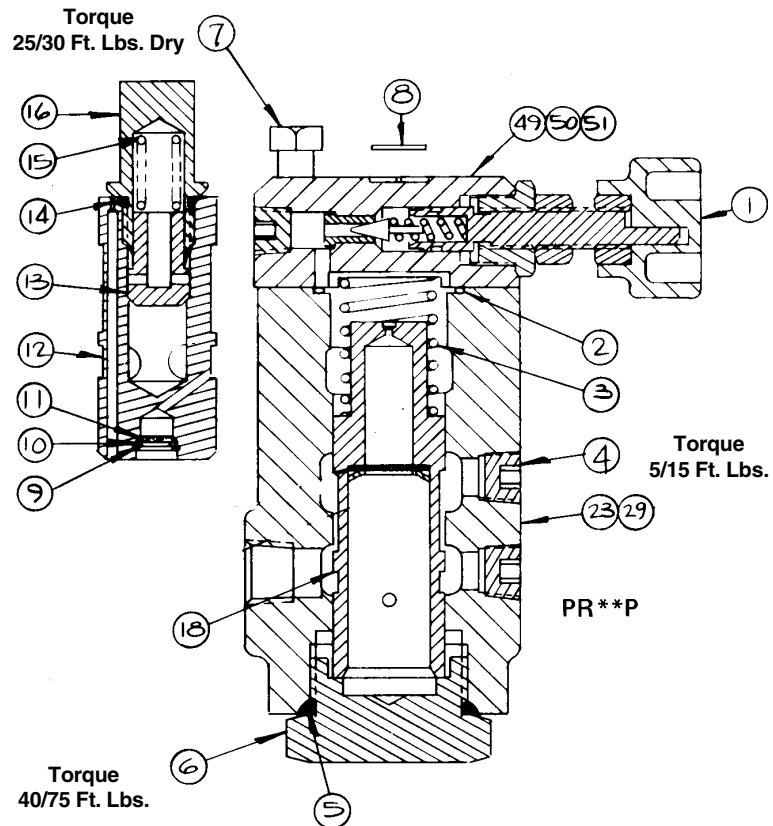
**PR Series**  
**Pressure Reducing Valve**

---



Pilot Cap No. 692725			
Item No.	Part Number	Qty Req'd.	Description
1	692808	1	Pilot Cap
2	1301734	1	Seat
3	007117	1	Dart
4	679935	1	Spring
5	2011V-7	1	O-Ring
6	656388	1	Retainer
7	16x43SZ	1	Nut
8	691301	1	Tensioner
9	102x4	1	Plug
10	693045	1	Nut

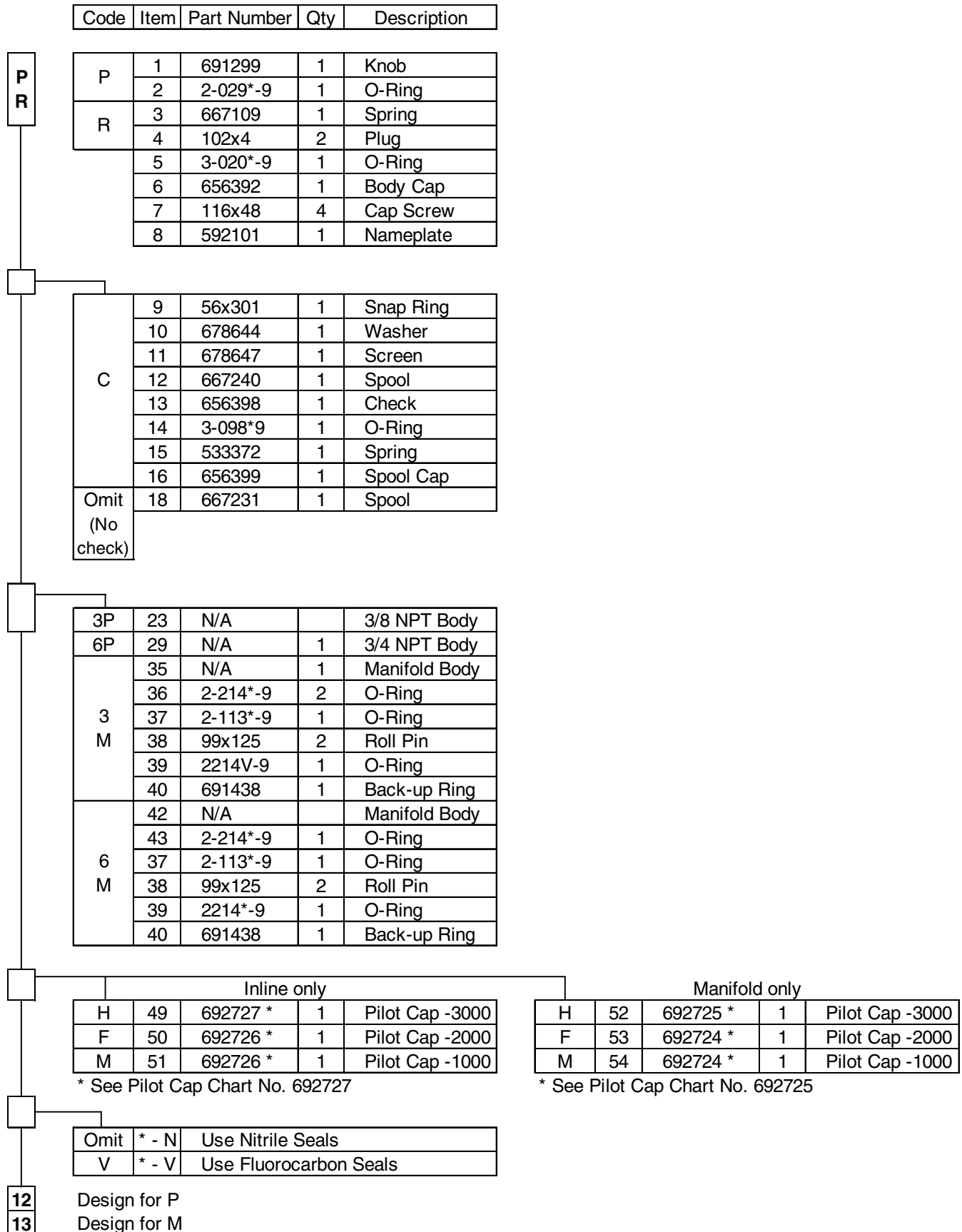
\* Pilot Cap 692725 Uses Spring 679935  
 Pilot Cap 692724 Uses Spring 678885



Pilot Cap No. 692727			
Item No.	Part Number	Qty Req'd.	Description
1	692807	1	Pilot Cap
2	1301734	1	Seat
3	007117	1	Dart
4	679935	1	Spring
5	2011V-7	1	O-Ring
6	656388	1	Retainer
7	16x43SZ	1	Nut
8	691301	1	Tensioner
9	102x4	1	Plug
10	693045	1	Nut

\* Pilot Cap 692727 Uses Spring 679935  
 Pilot Cap 692726 Uses Spring 678885

Ordering Information



 **WARNING**

FAILURE OR IMPROPER SELECTION OR IMPROPER USE OF THE PRODUCTS AND/OR SYSTEMS DESCRIBED HEREIN OR RELATED ITEMS CAN CAUSE DEATH, PERSONAL INJURY AND PROPERTY DAMAGE.

This document and other information from Parker Hannifin Corporation, its subsidiaries and authorized distributors provide product and/or system options for further investigation by users having technical expertise. It is important that you analyze all aspects of your application and review the information concerning the product or system in the current product catalog. Due to the variety of operating conditions and applications for these products or systems, the user, through its own analysis and testing, is solely responsible for making the final selection of the products and systems and assuring that all performance, safety and warning requirements of the application are met.

The products described herein, including without limitation, product features, specifications, designs, availability and pricing, are subject to change by Parker Hannifin Corporation and its subsidiaries at any time without notice.

**Offer of Sale**

The items described in this document are hereby offered for sale by Parker Hannifin Corporation, its subsidiaries or its authorized distributors. This offer and its acceptance are governed by the provisions stated in the "Offer of Sale".

© Copyright 2003, 1980 Parker Hannifin Corporation, All Rights Reserved



**Parker Hannifin Corporation**  
Hydraulic Valve Division  
520 Ternes Avenue  
Elyria, Ohio, 44035 USA  
Tel: (440) 366-5200  
Fax: (440) 366-5253  
[www.parker.com/hydraulicvalve](http://www.parker.com/hydraulicvalve)

Bulletin HY14-2533-M7/US,  
9/03