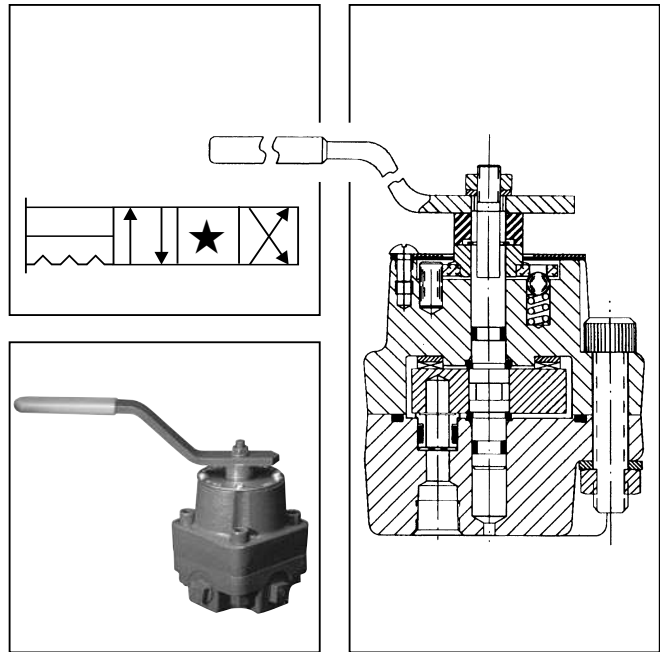


**General Description**

Series 8200 valves are 4-way manual selector valves with near zero leakage characteristics and are rated to 207 Bar (3000 PSI) for liquids and 138 Bar (2000 PSI) for air. The valve design requires low actuation torque and can be used in applications where loads must be held for long periods and under difficult conditions.

**Features**

- Shear-type positive seal.
- Zero leakage (1 drop per min. per pressure port).
- High contamination tolerance.
- Standard valves are interflow.
- Long life due to wiping action of seals and disk.
- Low turning torque.
- Clevis handle option available.



**Specifications**

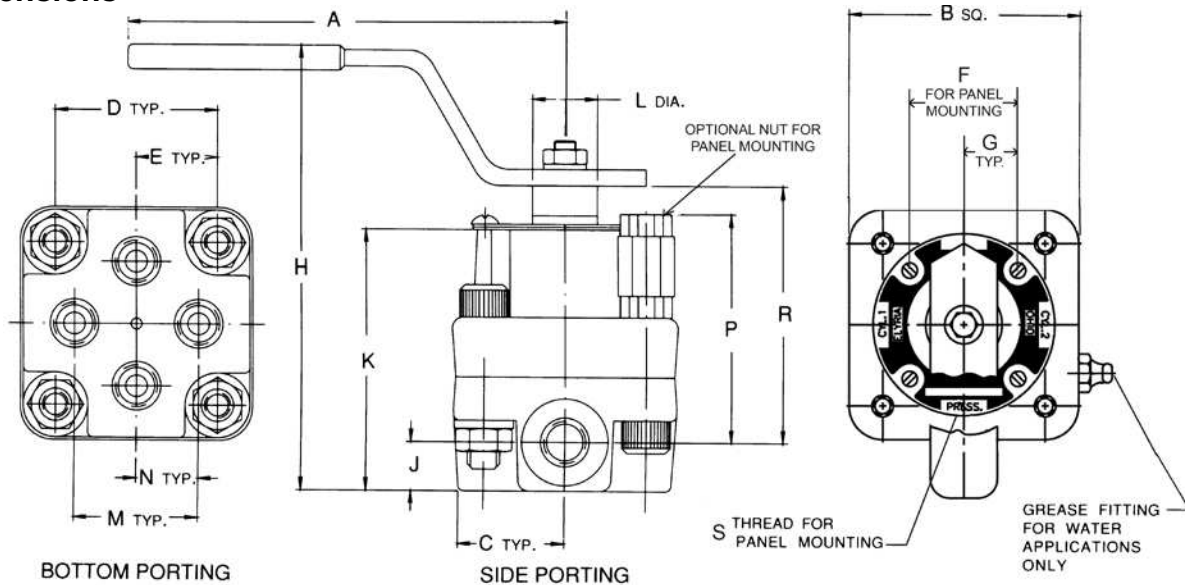
<b>Service Applications</b>	Lubricated air, hydraulic oil, and water. For case pressure or exhaust port pressure applications above 17.3 Bar (250 PSI), consult factory.	<b>Materials</b>	Body & Cap: Ductile iron
<b>Maximum Operating Pressure</b>	<b>Working:</b> Liquids – 207 Bar (3,000 PSI) Air – 138 Bar (2,000 PSI) <b>Proof:</b> Liquids – 310 Bar (4,500 PSI) Air – 207 Bar (3,000 PSI) <b>Burst:</b> 517 Bar (7,500 PSI)		Disk: Stainless steel type 440
<b>Porting</b>	Bottom or side NPT: Pipe threads Sizes: 1/8", 1/4", 3/8", 1/2", 3/4" & 1" IST: Internal straight threads per AND10050 Sizes: 4, 6, 8, 10, 12 & 16		Shaft: Stainless steel type 416
			Seals: Stainless steel type 440
			Spring Seals: Stainless steel
			O-rings: Synthetic rubber compatible with media
			Back-up rings: PTFE
			Handle: Steel
			Finish: Paint
			Note: Steel bodies and caps for water or air service are electroless nickel plated. Water service valves are equipped with grease fittings and require periodic lubrication with a waterproof grease.
		<b>Operating Temperature</b>	-40°C to +121°C (-40°F to +250°F) Higher on special order

Valve Size		Weight Lbs.	C <sub>v</sub> Factor P. to A. or P. to B.	Flow Passage Diameter	Handle Pull-Lbs.	
Tube	Pipe				8200	
			8200		Air	Oil
4	1/8	5-1/2	.95	.250 in.	13	15
6	1/4		.95			
8	3/8	9.17	2.8	.437 in.	15	18
10	1/2		3.0			
12	3/4	24-1/4	9.5	.750 in.	15	18
16	1		9.9			

**Ordering information**

<input type="checkbox"/>	<b>82</b>	<input type="checkbox"/>	<input type="checkbox"/>	—	<input type="checkbox"/>	<input type="checkbox"/>	<input type="checkbox"/>	<input type="checkbox"/>	<input type="checkbox"/>
Prefix for Optional Special Feature	Series 207 Bar (3000 PSI)	Flow Pattern	Porting	Size	Service Media	Materials	Seals	Suffix for Optional Special Feature	
R Spring Return  F Fourth Seal	4 4-Way Closed Center  5 4-Way Tandem Center  7 4-Way Manipulator Closed Center		1 Side Ported  2 Bottom Ported	1/8 NPT 1/4 PT 3/8 NPT 1/2 NPT 3/4 NPT 1 NPT 4 IST 6 IST 8 IST 10 IST 12 IST 16 IST	A Lubricated Air  H Hydraulic Oil  W Water	S Ductile Iron	2 Nitrile  28 Fluorocarbon	C Clevis Handle	Ordering Example: 8241-1HS2C

**Dimensions**



Valve Size		All Dimensions are in Inches															
Tube	Pipe	A	B	C	D	E	F	G	H	J	K	L	M	N	P	R	S
4	1/8																
6	1/4	5	2-5/8	1-5/16	1.875	0.937	1.843	0.921	5-1/8	9/16	3	3/4	1-7/16	23/32	2 5/8	2-15/16	10-24NC
8	3/8	7	3-1/4	1-5/8	2.375	1.187	1.678	0.839	6-17/32	11/16	4-3/32	15/16	1-15/16	31/32	3/1/2	3-29/32	10-24NC
10	12																
12	3/4	10	4-5/8	2-5/16	3.625	1.812	2.252	1.126	8-23/32	1	5-9/32	1-1/8	2-3/4	1-3/8	4-13/16	5-5/32	1/4-20NC
16	1																

**WARNING – USER RESPONSIBILITY**

- FAILURE OR IMPROPER SELECTION OR IMPROPER USE OF THE PRODUCTS DESCRIBED HEREIN OR RELATED ITEMS CAN CAUSE DEATH, PERSONAL INJURY AND PROPERTY DAMAGE.
- This document and other information from Parker-Hannifin Corporation, its subsidiaries and authorized distributors provide product or system options for further investigation by users having technical expertise.
  - The user, through its own analysis and testing, is solely responsible for making the final selection of the system and components and assuring that all performance, endurance, maintenance, safety and warning requirements of the application are met. The user must analyze all aspects of the application, follow applicable industry standards, and follow the information concerning the product in the current product catalog and in any other materials provided from Parker or its subsidiaries or authorized distributors.
  - To the extent that Parker or its subsidiaries or authorized distributors provide component or system options based upon data or specifications provided by the user, the user is responsible for determining that such data and specifications are suitable and sufficient for all applications and reasonably foreseeable uses of the components or systems.

**OFFER OF SALE**

The items described in this document are hereby offered for sale by Parker-Hannifin Corporation, its subsidiaries or its authorized distributors. This offer and its acceptance are governed by the provisions stated in the detailed "Offer of Sale" elsewhere in this document or available at [www.parker.com/hydraulicvalve](http://www.parker.com/hydraulicvalve).