

Series RCP400S-13

Direct Operated Pressure Relief Valve

Service Bulletin

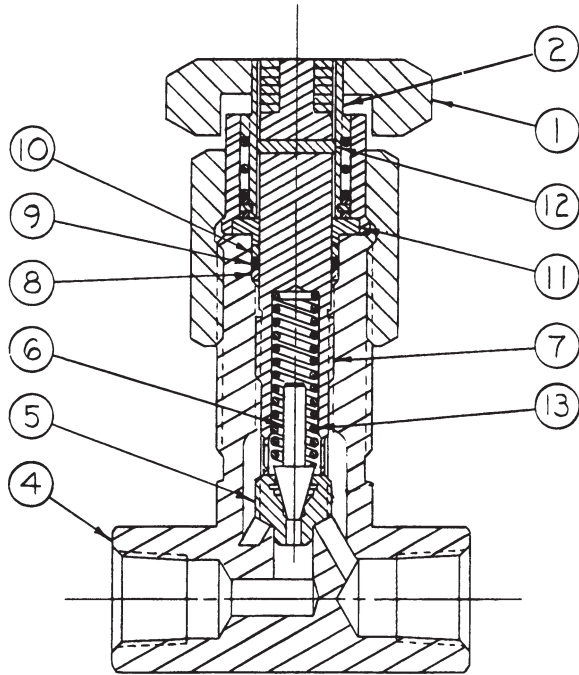
Bulletin HY14-3025-M11/US

Effective: September 1, 2015

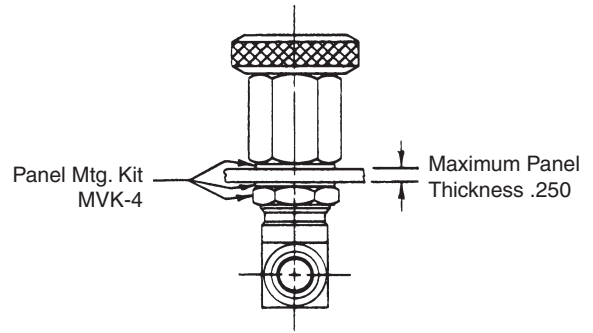
aerospace
climate control
electromechanical
filtration
fluid & gas handling
hydraulics
pneumatics
process control
sealing & shielding



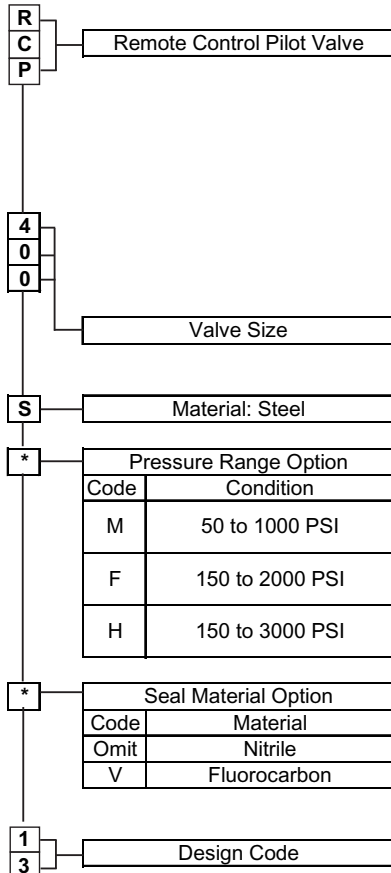
ENGINEERING YOUR SUCCESS.



RCP400S-13**



Panel Mtg. Detail



Parts List			
Revision Reference			
Item	Part Number	Description	Qty
1	007190-R	Knob (S.A.)	1
4	N/A	Body (S.A.)	1
5	012097	Seat	1
6	08475001	Dart	1
7	007559	Tensioner (S.A.)	1
8	005012-2	Washer	1
9	2-012 -7	O-Ring	1
10	8-012 -9	Parbak Ring	1
11	005017-2	Follower	1
12	007186-2	Drive Pin	1
13	012094	Spring, Dart	1
13	012095	Spring, Dart	1
13	012096	Spring, Dart	1
Instructions			
Substitute N for Symbol in all P/No's.			
Substitute V for Symbol in all P/No's.			



WARNING – USER RESPONSIBILITY

FAILURE OR IMPROPER SELECTION OR IMPROPER USE OF THE PRODUCTS DESCRIBED HEREIN OR RELATED ITEMS CAN CAUSE DEATH, PERSONAL INJURY AND PROPERTY DAMAGE.

- This document and other information from Parker-Hannifin Corporation, its subsidiaries and authorized distributors provide product or system options for further investigation by users having technical expertise.
- The user, through its own analysis and testing, is solely responsible for making the final selection of the system and components and assuring that all performance, endurance, maintenance, safety and warning requirements of the application are met. The user must analyze all aspects of the application, follow applicable industry standards, and follow the information concerning the product in the current product catalog and in any other materials provided from Parker or its subsidiaries or authorized distributors.
- To the extent that Parker or its subsidiaries or authorized distributors provide component or system options based upon data or specifications provided by the user, the user is responsible for determining that such data and specifications are suitable and sufficient for all applications and reasonably foreseeable uses of the components or systems.

OFFER OF SALE

The items described in this document are hereby offered for sale by Parker-Hannifin Corporation, its subsidiaries or its authorized distributors. This offer and its acceptance are governed by the provisions stated in the detailed "Offer of Sale" elsewhere in this document or available at www.parker.com/hydraulicvalve.

SAFETY GUIDE

For safety information, see Safety Guide SG HY14-1000 at www.parker.com/safety or call 1-800-CParker.



Parker Hannifin Corporation
Hydraulic Valve Division
520 Ternes Avenue
Elyria, Ohio 44035 USA
Tel: 440-366-5100
Fax: 440-366-5253
www.parker.com/hydraulicvalve

