

# Series D1200S-20 Deceleration Valve

Service Bulletin

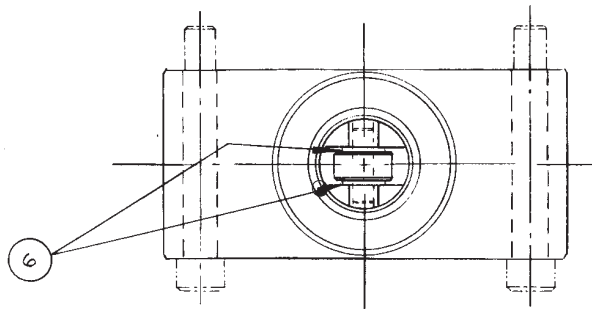
Bulletin HY14-3025-M3/US

Effective: September 1, 2015

aerospace  
climate control  
electromechanical  
filtration  
fluid & gas handling  
hydraulics  
pneumatics  
process control  
sealing & shielding

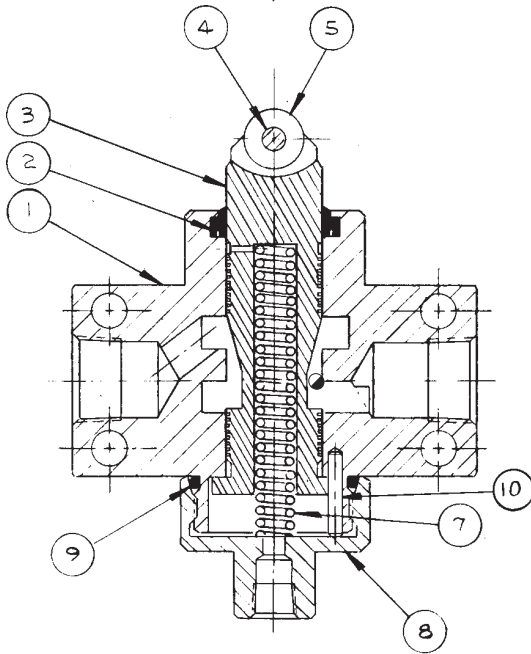


ENGINEERING YOUR SUCCESS.

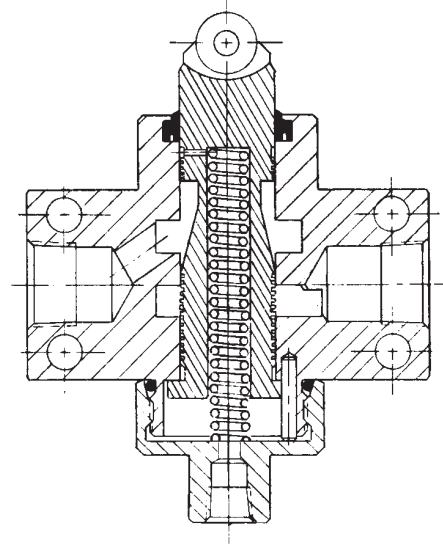


Valve Code  
 D1200S \*\*\* -20

Valve Model | Design Code  
 (Mat'l.) Steel | Seal Code  
 Omit: Nitrile  
 V: Fluorocarbon  
 Omit for Normally Open Valve  
 NC for Normally Closed Valve



**Normally Open Valve  
 D1200S\*-20**



**Normally Closed Valve  
 D1200SNC\*-20**

Revision Reference		Parts List			
Item No.	Valve Model Description	G		G	
		D1200S*-20 Part No.	Qty Req'd	D1200SNC*-20 Part No.	Qty Req'd
1	Body	N/A	1	N/A	1
2	Seal	082169	1	082169	1
3	Plunger	082105-2	1	082106-2	1
4	Roller Shaft	082121-2	1	082121-2	1
5	Roller	082120-2	1	082120-2	1
6	Snap Ring	5133-25	2	5133-25	2
7	Spring	082119	1	082119	1
8	End Cap	082111-2	1	082111-2	1
9	O-Ring	3-924 -9	1	3-924 -9	1
10	Dowel Pin	23x110	1	23x110	1

● Part No. Seal Code  
 N – Nitrile  
 V – Fluorocarbon



## **WARNING – USER RESPONSIBILITY**

FAILURE OR IMPROPER SELECTION OR IMPROPER USE OF THE PRODUCTS DESCRIBED HEREIN OR RELATED ITEMS CAN CAUSE DEATH, PERSONAL INJURY AND PROPERTY DAMAGE.

- This document and other information from Parker-Hannifin Corporation, its subsidiaries and authorized distributors provide product or system options for further investigation by users having technical expertise.
- The user, through its own analysis and testing, is solely responsible for making the final selection of the system and components and assuring that all performance, endurance, maintenance, safety and warning requirements of the application are met. The user must analyze all aspects of the application, follow applicable industry standards, and follow the information concerning the product in the current product catalog and in any other materials provided from Parker or its subsidiaries or authorized distributors.
- To the extent that Parker or its subsidiaries or authorized distributors provide component or system options based upon data or specifications provided by the user, the user is responsible for determining that such data and specifications are suitable and sufficient for all applications and reasonably foreseeable uses of the components or systems.

## **OFFER OF SALE**

The items described in this document are hereby offered for sale by Parker-Hannifin Corporation, its subsidiaries or its authorized distributors. This offer and its acceptance are governed by the provisions stated in the detailed "Offer of Sale" elsewhere in this document or available at [www.parker.com/hydraulicvalve](http://www.parker.com/hydraulicvalve).

## **SAFETY GUIDE**

For safety information, see Safety Guide SG HY14-1000 at [www.parker.com/safety](http://www.parker.com/safety) or call 1-800-CParker.



Parker Hannifin Corporation  
**Hydraulic Valve Division**  
520 Ternes Avenue  
Elyria, Ohio 44035 USA  
Tel: 440-366-5100  
Fax: 440-366-5253  
[www.parker.com/hydraulicvalve](http://www.parker.com/hydraulicvalve)

