



Installation and start-up information Hydraulic Motors Series F11iP

Effective: August 25, 2011

Supersedes: January 18, 2011

!!! VIKTIGT LÄS DETTA FÖRST !!!

Installations checklista, F11-iP

- Läs igenom applikationsguiden (HY30-8251/SE) och uppstartsinstruktionen (HY30-8206-INST/EU) för sågmotorn. Se www.parker.com/euro_pmd
- Säkerställ att uppmätt hustryck i D port ligger inom intervallet 3–6 bar under körning av sågmotor eller andra aggregatfunktioner.
- Säkerställ att motorn är korrekt ansluten, se applikationsguiden för beskrivning.
- Säkerställ att slangdimensioner överensstämmer med storleken på sågmotorns anslutningsportar. Se applikationsguiden för portstorlek.
- Säkerställ att storlek på matningscylinder och kedjedrev överensstämmer med installerad sågmotorvariant, se applikationsguiden.
- Säkerställ att kontinuerlig körning av sågmotorn utan last är begränsad till maximalt 5 sek.
- Säkerställ att sågmotorn är fylld med olja före uppstart. (Enklast att fylla i D porten före installation).
- Säkerställ att erforderlig trycknivå (enligt applikationsguiden) kan upprätthållas under hela sågförloppet.
- Säkerställ att tillräcklig flödesnivå för installerad sågmotor version (enligt applikationsguiden) kan upprätthålls vid fullt arbetstryck.
- Säkerställ att hydraulmedia uppfyller kraven enligt applikationsguiden.
- Säkerställ att el-signalens nivåer uppfyller kraven i applikationsguiden och regleringen sker utan ramper.
- Om ovanstående punkter inte kan uppfyllas, kontakta Parker Hannifin Pump and Motor Division för konsultation. +46 (0) 520 404500.

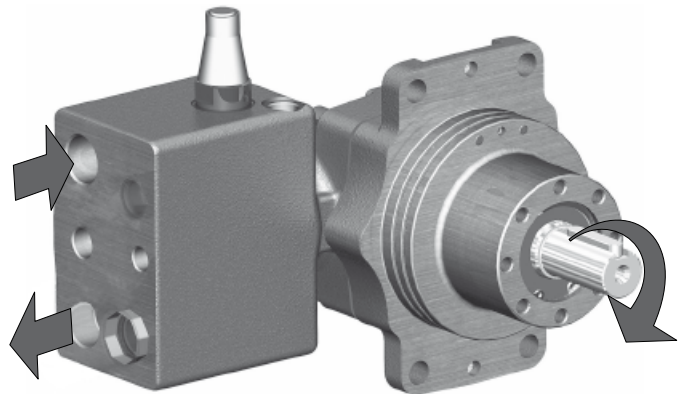
!!! IMPORTANT READ THIS FIRST !!!

Installation check list, F11-iP

- Read the application guide (HY30-8251/UK) and start-up instruction (HY30-8206-INST/EU) for the saw motor. See www.parker.com/euro_pmd
- Check that measured case pressure in D port, is within the interval 3–6 bar during operation of the saw motor or other harvester head functions.
- Check that all motor connections are right, see application guide for description.
- Check that hose dimension conforms to corresponding saw motor port size. See application guide for port sizes.
- Check that feed cylinder and chain sprocket size conforms to installed saw motor version, see application guide.
- Check that continuous operation of the saw motor unloaded is limited to maximum 5 sec.
- Check that the saw motor is filled with oil before first run. (Filling in D port before installation is favourable).
- Check that specified minimum working pressure (according to application guide) can be achieved during motor operation.
- Check that flow level conforms to the demands for installed saw motor version (according to application guide) at continuous working pressure.
- Check that oil properties meets the requirements specified in the application guide.
- Check that the electric control signal fulfils the demands specified in the application guide and shifting is made without ramps.
- If the requirements above cannot be fulfilled, please contact Parker Hannifin Pump and Motor Division for consultation. +46 (0)520 404500

VIKTIGT • IMPORTANT • IMPORTANTE • WICHTIG • TÄRKEÄTÄ

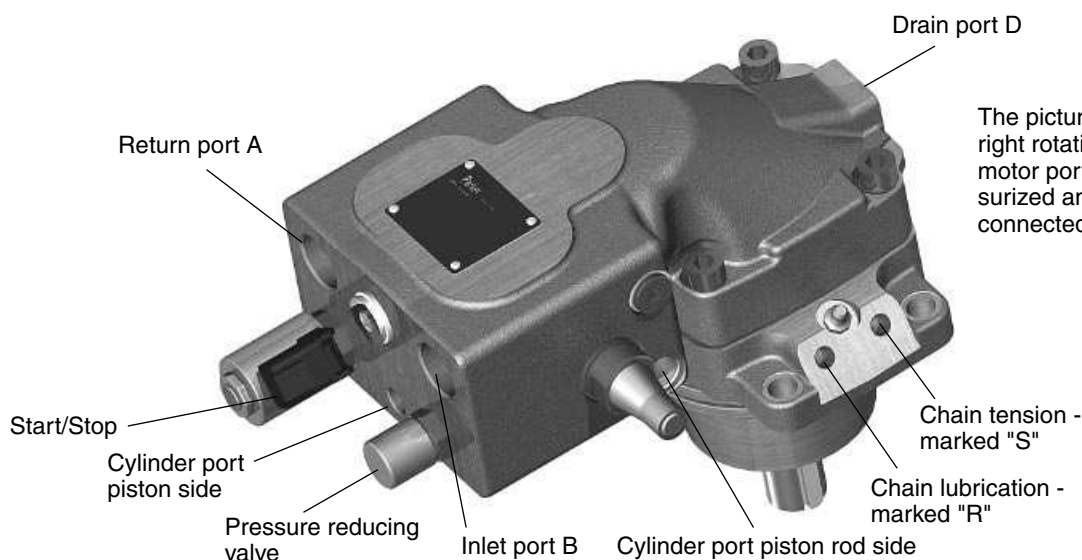
- SE** Sågmotorn får under inga omständigheter köras utan belastning under längre tid än 5 sekunder. Motorn är rotationsbunden
- UK** The saw motor must never be operated without load for more than five seconds. The operation of the motor depends on the direction of rotation.
- DE** Der Sägemotor darf unter keinen Umständen länger als 5 Sekunden ohne Belastung laufen. Der Motor ist rotationsgebunden.
- FR** Ne laisser en aucun cas le moteur de la scie tourner sans charge pendant plus de 5 secondes. Le moteur est tributaire du sens de rotation.
- ES** El motor de aserrado no debe funcionar nunca en vacío durante más de 5 segundos. La dirección de giro del motor es fija.
- SF** Sahamootoria ei saa missään tilanteessa käyttää ilman kuormitusta yli 5 sekunnin ajan. Moottorin kiertosuuntaa ei voi vaihtaa.
- IT** Il motore di taglio non deve mai funzionare senza carico per più di 5 secondi. Il motore è legato alla rotazione.



Picture showing right version

- SE** Anslut dränering, cylinderportar, motorportar och start/stop-ventil enligt bild.
- UK** Connect the drain port, cylinder ports, motor ports and start/stop valve as shown in the figure.
- DE** Ableitungen, Zylinderanschlüsse, Motoranschlüsse und Start-/Stopp-Ventil gemäß Abbildung anschließen.
- FR** Brancher le drainage, les orifices vérin, les orifices moteur et la valve marche/arrêt conformément à l'illustration.

- ES** Conectar el drenaje, las bocas del cilindro, las bocas del motor y la válvula de arranque/parada como se indica en la imagen.
- SF** Kytke poistoputki, sylinterin portit, moottorin portit ja käynnistys-/pysäytysventtiili kuvan mukaisesti.
- IT** Collegare lo scarico, le porte del cilindro, le porte del motore e la valvola di avviamento/arresto come illustrato in figura.



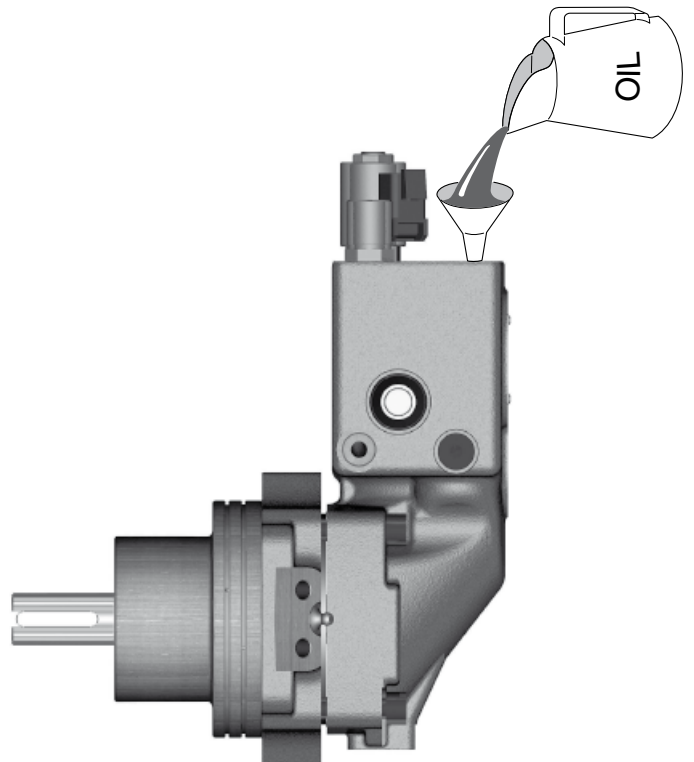
The picture is showing right rotation. For this motor port B are pressurized and port A are connected to tank.

- SE** Garantien är endast giltig om motorn ej är isärtagen och plomberingen ej är bruten.
- UK** The guarantee is only valid if the pump/motor has not been disassembled.
- DE** Die Garantie gilt nur, wenn Pumpe/Motor nicht zerlegt sind.
- FR** La garantie est valable uniquement moteur/pompe non démonté(e).
- ES** La garantía solo es válida si la bomba / el motor no ha sido desarmada/o.
- SF** Takuun voimassaolo päättyy, jos pumpppua/moottoria on purettu.
- IT** La garanzia è valida a condizione che pompa/motore non siano smontati.

- SE** Använd olja och filter enligt våra rekommendationer. Se bulletin **HY30-8251/EU_UK**.
- UK** Use the recommended oil and filter. See bulletin **HY30-8251/EU_UK**.
- DE** Öl und Filter gemäß unseren Empfehlungen verwenden, siehe Rundschreiben **HY30-8251/EU_UK**.
- FR** Employer une huile et un filtre conformes à nos recommandations. Se reporter au bulletin **HY30-8251/EU_UK**.
- ES** Utilizar aceite y filtro de conformidad con nuestras recomendaciones, consultar el boletín, **HY30-8251/EU_UK**.
- SF** Käytä suosituksemme mukaista öljyä ja suodatinta. Katso tiedote **HY30-8251/EU_UK**.
- IT** Usare l'olio e i filtri raccomandati, vedere bollettino **HY30-8251/EU_UK**.

- SE** Rengör hydraulsystemet noga innan olja påfylls.
- UK** Carefully clean the hydraulic system before the system is filled with oil.
- DE** Säubern Sie vor Einfüllung des Öls sorgfältig das System.
- FR** Nettoyer soigneusement le système avant de la remplir d'huile.
- ES** Limpie minuciosamente el sistema antes de llenarlo de aceite.
- SF** Puhdista hydraulijärjestelmä huolellisesti ennen öljyllä täyttämistä.
- IT** Si raccomanda la massima pulizia, specialmente nei raccocchi e nel cambio dell'olio.

- SE** Fyll huset med olja före uppstart.
- UK** Fill the case with oil before initial startup.
- DE** Das Gehäuse vor dem Start mit Öl füllen.
- FR** Avant de mettre en marche, remplir d'huile le corps de la pompe ou du moteur.
- ES** Llenar la recámara con aceite antes de arrancar.
- SF** Täytä pesä öljyllä ennen käynnistystä.
- IT** Riempire l'alloggiamento con olio prima dell'uso.



Position notification regarding Machinery Directive 2006/42/EG:

Products made by the Pump and Motor Division (PMD) of Parker Hannifin are excluded from the scope of the machinery directive following the "Cetop" Position Paper on the implementation of the Machinery Directive 2006/ 42/ EC in the Fluid Power Industry.

All PMD products are designed and manufactured considering the basic as well as the proven safety principles according to:

- SS EN ISO13849-2:2008-09, C.2 and C.3 and,
- SS EN 982+A1:2008,

so that the machines in which the products are incorporated meet the essential health and safety requirements.

Confirmations for components to be proven component, e. g. for validation of hydraulic systems, can only be provided after an analysis of the specific application, as the fact to be a proven component mainly depends on the specific application.

Dr. Hans Haas

General Manager Pump and Motor Division Europe
Chemnitz, Chomutov, Trollhättan, Kingswinford

**WARNING – USER RESPONSIBILITY**

FAILURE OR IMPROPER SELECTION OR IMPROPER USE OF THE PRODUCTS DESCRIBED HEREIN OR RELATED ITEMS CAN CAUSE DEATH, PERSONAL INJURY AND PROPERTY DAMAGE.

This document and other information from Parker-Hannifin Corporation, its subsidiaries and authorized distributors provide product or system options for further investigation by users having technical expertise.

The user, through its own analysis and testing, is solely responsible for making the final selection of the system and components and assuring that all performance, endurance, maintenance, safety and warning requirements of the application are met. The user must analyze all aspects of the application, follow applicable industry standards, and follow the information concerning the product in the current product catalog and in any other materials provided from Parker or its subsidiaries or authorized distributors.

To the extent that Parker or its subsidiaries or authorized distributors provide component or system options based upon data or specifications provided by the user, the user is responsible for determining that such data and specifications are suitable and sufficient for all applications and reasonably foreseeable uses of the components or systems.

Offer of Sale

Please contact your Parker representation for a detailed "Offer of Sale".



Parker Hannifin Manufacturing Sweden AB
Pump and Motor Division
SE-461 82 Trollhättan
Sweden
Tel. +46 (0)520 40 45 00
Fax +46 (0)520 371 05
www.parker.com/euro_pmd

HY30-8206-INST/EU
Art. No 3787464-05

© Copyright 2011
All rights reserved