

### Model Number

#### KCD2-R

Sensor output interface terminals with relay output

### Features

- Relay output with 1 pole, yellow LED indicates switching state
- Free-wheeling diode
- Compact terminal housing
- Clips onto standard 35 mm rail to DIN EN 50 022
- Protection degree IP20

### Technical data

#### Functional safety related parameters

MTTF <sub>d</sub>	19699 a
-------------------	---------

#### Indicators/operating means

LED yellow	switch output
------------	---------------

#### Electrical specifications

Operating voltage	U <sub>B</sub>	24 V DC ± 15 %
Ripple		≤ 10 %
Operating current		16 mA

#### Input

Connection	terminals 2+, 3-
Connectable sensor types	PNP or NPN 3-wire sensors

#### Output

Switching frequency	f	≤ 10 Hz
Relay		1 changeover contact
Contact loading		30 V DC/2 A resistive load
Delay		Pull-in: approx. 6 ms Drop-out: approx. 2 ms
Mechanical life		≥ 10 <sup>8</sup> switching cycles

#### Ambient conditions

Ambient temperature	-25 ... 60 °C (-13 ... 140 °F)
Storage temperature	-25 ... 85 °C (-13 ... 185 °F)

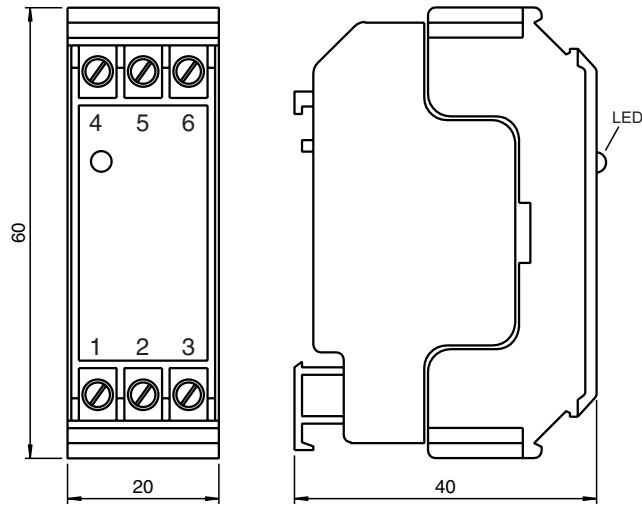
#### Mechanical specifications

Protection degree	IP20
Connection	self-opening apparatus connection terminals, max. core cross-section 0.34 ... 2.5 mm <sup>2</sup>
Mass	60 g
Dimensions	20 mm x 60 mm x 40 mm

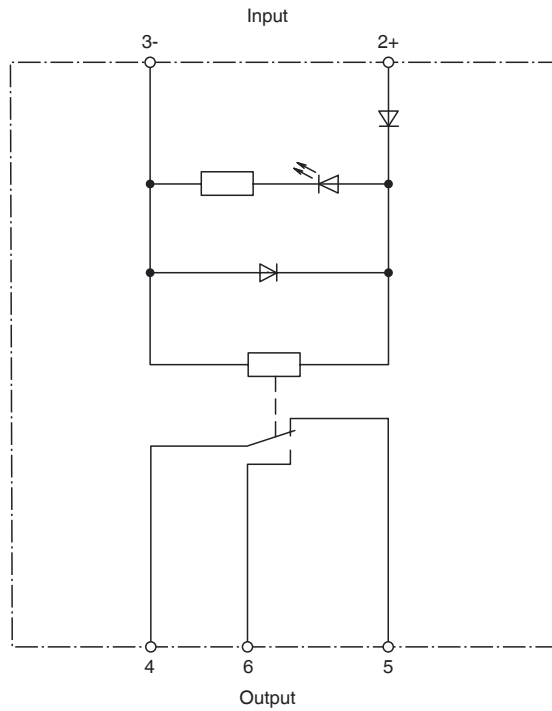
#### Compliance with standards and directives

Directive conformity	
EMC Directive 2004/108/EC	EN 61326-1:2006
Standard conformity	
Noise immunity	EN 61326-1:2006
Protection degree	EN 60529:2000

Dimensions



Electrical connection



Release date: 2012-02-07 15:31 Date of issue: 2012-02-07 019498\_eng.xml