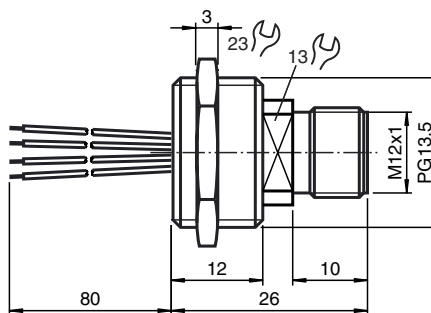




Dimensions



Model Number

V1-PG13,5-Y21270

Receptacles, M12/PG13.5, 4-pin; plastic version

Features

- Plastic version
- Front/screw mounting
- M12 plug can be mounted in any position

Technical data

General specifications

Number of pins	4
Connection 1	Male connector
Construction type 1	straight
Threading 1	M12
Connection 2	cable end

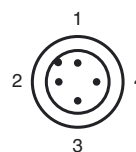
Mechanical specifications

Degree of protection	IP67 when sealing with O-Ring
Connection	Single strand leads with connector sleeves
Material	
Connector	plastic
Core insulation	PVC
Cable	
Cores	4 x 0.25 mm ²
Length	L 80 mm
Installation	Front mounting PG13.5

Compliance with standards and directives

Standard conformity	
Degree of protection	EN 60529

Electrical connection



Electrical connection

1	BN
2	WH
3	BU
4	BK

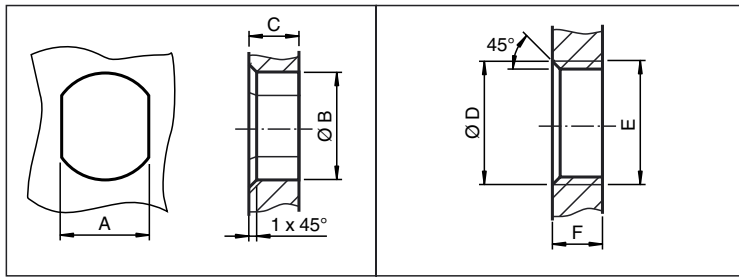
Note

O-ring (13,3 x 2,4) and lock nut are included in the delivery package.

Release date: 2014-10-06 11:00 Date of issue: 2014-10-06 021270_eng.xml

Refer to "General Notes Relating to Pepperl+Fuchs Product Information".

Installation Note



	A	B	C	D	E	F
M8	7.1 ^{+0.1}	Ø 8.2 ^{+0.1}	2 - 4 mm	-	M8x0.5	2 - 4 mm
M12	11 ^{+0.1}	Ø 12.2 ^{+0.1}	< 4 mm	-	M12x1	< 4.5 mm
M16	13.5 ^{+0.1}	Ø 16.1	< 4.5 mm	Ø 17 ^{+0.2}	M16x1.5	> 2.5 mm
M20	13.5 ^{+0.1}	Ø 20.1	-	Ø 20 ^{+0.2}	M20x1.5	< 6 mm
PG9	13.5 ^{+0.1}	Ø 15.3 ^{+0.1}	< 4.5 mm	Ø 16	PG9	> 2.5 mm
PG13.5	18.8 ^{+0.1}	Ø 20.5 ^{+0.1}	-	Ø 22 ^{±0.1}	PG13.5	-

Release date: 2014-10-06 11:00 Date of issue: 2014-10-06 021270_eng.xml