**Model Number****IRH-12GM-V1**

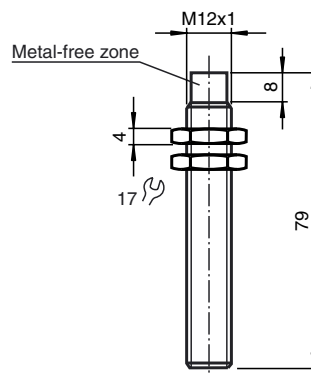
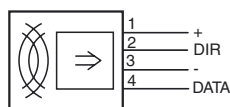
Reading head

Accessories**V1-G-IVH-5M-PUR-ABG**

Cable connector, screened

V1-G-IVH-15M-PUR-ABG

Cable connector, screened

Dimensions**Electrical connection****Technical data****General specifications**

Distance	distance tables, see introduction
----------	-----------------------------------

Electrical specifications

Power consumption	P_0	600 mW
-------------------	-------	--------

Ambient conditions

Ambient temperature	-25 ... 70 °C (248 ... 343 K)
Storage temperature	-40 ... 85 °C (233 ... 358 K)

Mechanical specifications

Protection degree	IP67 according to EN 60529
Connection	plug connection V1
Material	
Housing	high grade steel (stainless)
Installation	
In metal	not embeddable, overshoot at least 10 mm
Distance between two heads	300 mm

Notes

The read heads cannot be embedded in a metal surface, as the read distance would be reduced thereby. In order to avoid mutual interference, the distance between the two read heads should be at least 300 mm.