

**Model Number****IVH-18GM-V1**

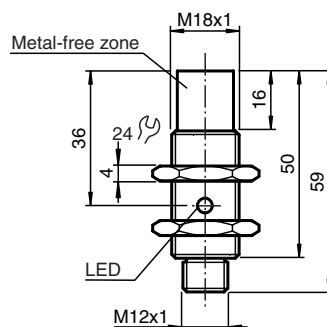
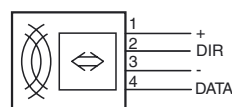
System IV read/write head

**Features**

- Small read/write head with thread M18 x 1
- Connection via V1 (M12 x 1) plug connection
- Dual-LED for function display
- Degree of protection IP67

**Accessories****V1-G-IVH-2M-PUR-ABG**

Female cordset, M12, 4-pin, shielded, PUR cable

**Dimensions****Electrical connection****Technical data****General specifications**

Operating frequency	250 kHz
Transfer rate	7.8 kBit/s
Operating distance	maximum: 42 mm

**Indicators/operating means**

LED green/yellow	green: Power on yellow: Data carrier detected
------------------	--

**Electrical specifications**

Power consumption	$P_0$	1.1 W
-------------------	-------	-------

**Ambient conditions**

Ambient temperature	-25 ... 70 °C (-13 ... 158 °F)
Storage temperature	-40 ... 85 °C (-40 ... 185 °F)

**Mechanical specifications**

Degree of protection	IP67 according to EN 60529
Connection	M12 x 1 connector
Material	
Housing	PBT/stainless steel
Installation	
In metal	non-flush, overshoot at least 10 mm
Distance between two heads	≥ 300 mm