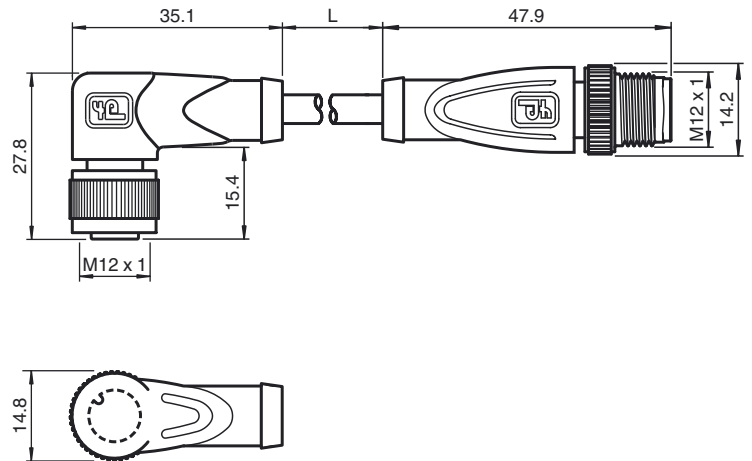




Dimensions



Model Number

V1-W-E2-1M-PUR-V1-G

Connection cable, M12 to M12 with LED, PUR cable, 3-pin

Features

- Built-in LED, as operating and function indicator
- Knurled nut suitable for tool assembly
- Immunity to vibration, with mechanical latching
- Gold-plated and machined contacts
- Halogen-free
- Protection degree IP67 / IP68 / IP69K

Technical data

General specifications

| | |
|---------------------|----------------|
| Number of pins | 3 |
| Connection 1 | socket |
| Construction type 1 | right angle |
| Threading 1 | M12 |
| Connection 2 | Male connector |
| Construction type 2 | straight |
| Threading 2 | M12 |

Indicators/operating means

| | |
|------------|-----------------------|
| LED green | Operating display |
| LED yellow | Functional display NO |

Electrical specifications

| | | |
|--------------------|-------|------------------------|
| Operating voltage | U_B | max. 24 V DC \pm 15% |
| Operating current | | max. 4 A |
| Contact resistance | | < 10 m Ω |

Ambient conditions

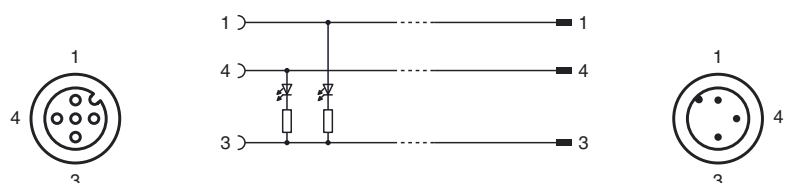
| | |
|---------------------|--|
| Ambient temperature | Body: -40 ... 90 °C (-40 ... 194 °F) cable, fixed: -40 ... 80 °C (-40 ... 176 °F) cable, flexing: -30 ... 80 °C (-22 ... 176 °F) |
|---------------------|--|

| | |
|------------------|---|
| Pollution Degree | 3 |
|------------------|---|

Mechanical specifications

| | |
|------------------------|-------------------------------|
| Contact elements | spring-loaded contact socket |
| Pin diameter | 1 mm |
| Protection degree | IP67 / IP68 / IP69K |
| Material | |
| Contacts | CuSn / Au |
| Contact surface | Au |
| Body | TPU, transparent/black |
| Cable | PUR |
| Slotted nut | Diecast zinc |
| Sleeve connector | Diecast zinc |
| Core insulation | PP |
| Cable | fine-strand, flexible |
| Sheath diameter | \varnothing 4.8 mm |
| Bending radius | > 10 x cable diameter, moving |
| Color | grey |
| Cores | 3 x 0.34 mm ² |
| Conductor construction | 19 x 0.15 mm \varnothing |
| Length | L 1 m |
| Flammability | |
| Contact material | 94 HB |
| Housing | 94 V-2 |

Electrical connection



Release date: 2013-08-13 18:36 Date of issue: 2013-08-13 023226_eng.xml



Compliance with standards and directives

| | |
|---------------------|----------------------|
| Standard conformity | |
| Protection degree | EN 60529:2000 |
| Standards | IEC 61076-2-101:2008 |
| Flammability | Grip: UL 94 |

Release date: 2013-08-13 18:36 Date of issue: 2013-08-13 023226_eng.xml