



Model Number

IRI-KHD2-4.RX

System IV control interface
With RS-232, RS-485, RS-422, and
TTY serial interfaces

Features

- Serial interface RS 232, RS 422, RS 485 or TTY
- 4 read heads can be connected
- Operating modes fixcode, protocol 3964R selectable with or without interpreter RK512
- 3 LEDs per read head for function indication
- LED for power on

Function

The control interface unit is connected via the serial interface to a higher-order control system.

The control interface unit receives the commands for reading the code carriers via this interface.

Up to 4 read heads can be connected to the control interface unit. The read heads can be queried individually or cyclically.

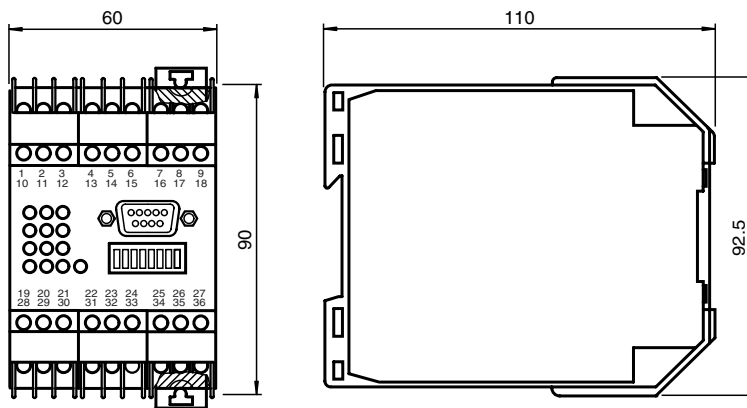
By means of a DIP-switch three different operating modes can be chosen at the control interface unit: fixcode, 3964R protocol with RK512 interpreter or 3964R protocol without RK512 Interpreter .

With the "fixcode" operating mode, serial communication takes place via ASCII characters. All commands consist of multiple ASCII characters.

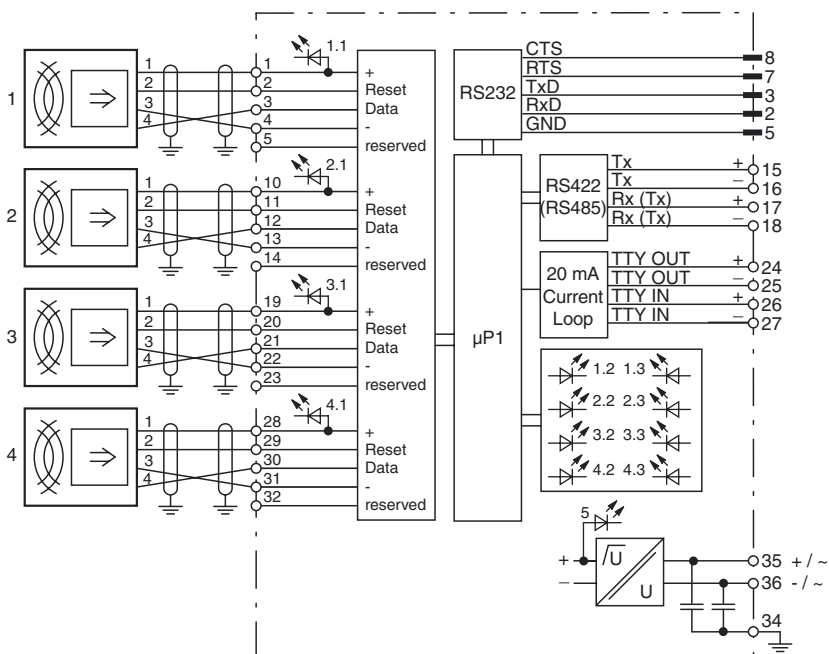
The control interface unit supports the computer coupling procedure 3964R, which was developed for programmable logic controllers; the commands are inserted into the telegram frame of the procedure.

In addition, the RK512 interpreter can be used in combination with fetch telegrams.

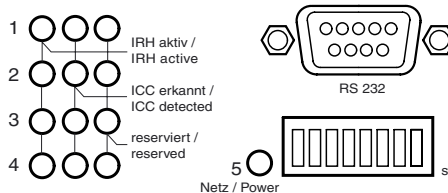
Dimensions



Electrical connection



Indicating / Operating means



Release date: 2015-03-26 12:24 Date of issue: 2015-04-02 027985_eng.xml

Technical data**General specifications**

Number of reading heads	max. 4
-------------------------	--------

Indicators/operating means

LED green	read head active (4 LEDs, 1 per head)
LED yellow	code carrier detected (4 LEDs, 1 per head)
LED red	reserved (4 LEDs, 1 per head)
LED green 5	Power on
DIP-switch	setting the operating mode and interface

Electrical specifications

Rated operating voltage	U_e	18 ... 30 V DC , ripple 10 % _{SS}
Current consumption		170 mA
Power consumption	P_0	4 W
Supply		read head: 100 mA / 16.5 V DC \pm 5 %

Interface

Physical	RS-232, RS-422, RS-485, TTY (20 mA current loop)
Protocol	ASCII, 3964R with interpreter, 3964R without interpreter
Transfer rate	300 ; 600 ; 1200 ; 2400 ; 4800 ; 9600 ; 19200 Bit/s

Ambient conditions

Ambient temperature	-25 ... 70 °C (-13 ... 158 °F)
Storage temperature	-25 ... 85 °C (-13 ... 185 °F)
Climatic conditions	air humidity max. 75 %

Mechanical specifications

Degree of protection	IP20 according to DIN 40050
Connection	terminals, max. core cross-section 2 x 2.5 mm ² , 9-pin Sub-D built-in connector
Material	
Housing	Makrolon 6485
Construction type	K-System, 60 mm (3 TE)

Software

Communication with the identification system is very easy with the demo program IDENT 2005. It shows the system options and simplifies commissioning. The demo program is included in the scope of delivery.