



Model Number

IVH-30GM-V1

System IV read/write head

Features

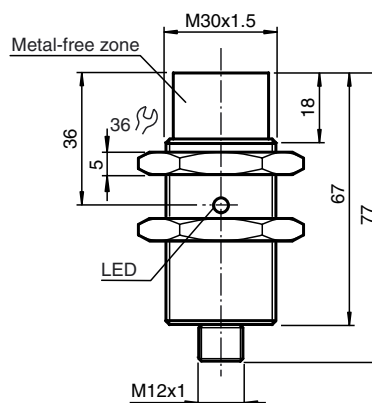
- With thread M30 x 1.5
- Connection via V1 (M12 x 1) plug connection
- Dual-LED for function display
- Degree of protection IP67

Accessories

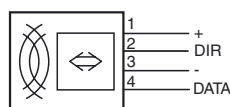
V1-G-IVH-2M-PUR-ABG

Female cordset, M12, 4-pin, shielded, PUR cable

Dimensions



Electrical connection



Technical data

General specifications

Operating frequency	250 kHz
Transfer rate	7.8 kBit/s
Operating distance	maximum: 66 mm

Indicators/operating means

LED green/yellow	green: Power on yellow: Data carrier detected
------------------	--

Electrical specifications

Power consumption	P_0	1.1 W
-------------------	-------	-------

Ambient conditions

Ambient temperature	-25 ... 70 °C (-13 ... 158 °F)
Storage temperature	-40 ... 85 °C (-40 ... 185 °F)

Mechanical specifications

Degree of protection	IP67 according to EN 60529
Connection	M12 x 1 connector
Material	
Housing	PBT/stainless steel
Installation	
In metal	non-flush, overshoot at least 10 mm
Distance between two heads	≥ 300 mm