



Model Number

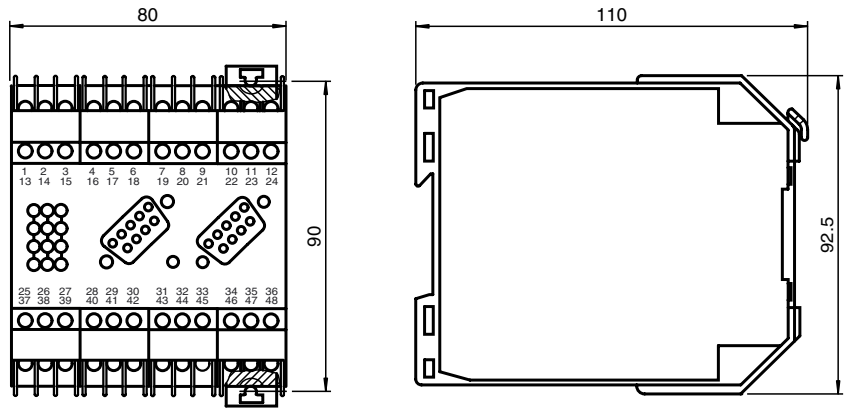
IRI-KHD2-4HB5

Control interface unit System IV with INTERBUS interface

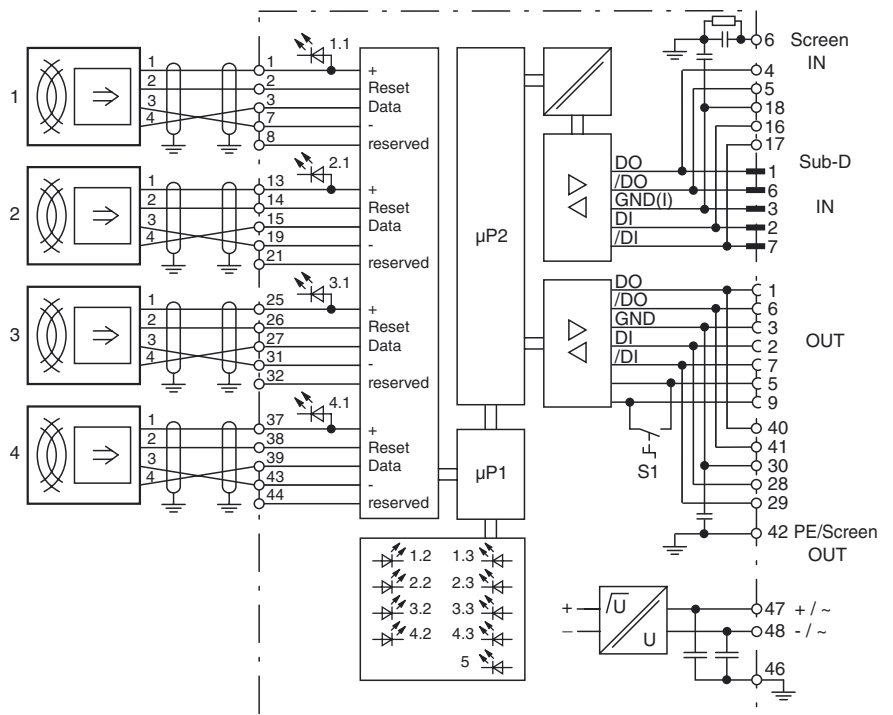
Features

- INTERBUS-remote bus subscriber
- 4 read heads can be connected
- Transmission of all read fix codes in one cycle
- 3 LEDs per read head for function indication
- LED for power on / bus communication

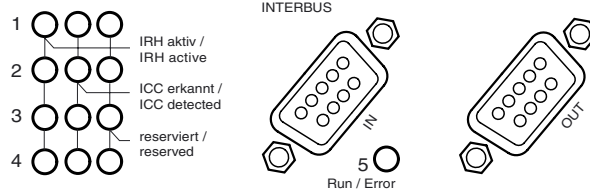
Dimensions



Electrical connection



Indicating / Operating means



Release date: 2015-03-26 12:24 Date of issue: 2015-03-26 031391_eng.xml

Refer to "General Notes Relating to Pepperl+Fuchs Product Information".

Pepperl+Fuchs Group
www.pepperl-fuchs.com

USA: +1 330 486 0001
fa-info@us.pepperl-fuchs.com

Germany: +49 621 776 4411
fa-info@de.pepperl-fuchs.com

Singapore: +65 6779 9091
fa-info@sg.pepperl-fuchs.com

Technical data**General specifications**

Number of reading heads	max. 4
-------------------------	--------

Indicators/operating means

LED green	read head active (4 LEDs, 1 per head)
LED yellow	code carrier detected (4 LEDs, 1 per head)
LED red	reserved (4 LEDs, 1 per head)
LED red/green	device status permanent green: device operating / bus communication active 1 x 0.3 s green, 5 s red: communication error 3 x 0.3 s red/green flashing, 5 s red: ROM error 4 x 0.3 s red/green flashing, 5 s red: RAM error
Rotary switch	ring termination 0 = closed 1 = bus continued

Electrical specifications

Rated operating voltage	U_e	18 ... 30 V DC , ripple 10 % _{SS}
No-load supply current	I_0	< 110 mA / 24 V DC (typ.)
Current consumption		200 mA
Power consumption	P_0	5 W

Interface

Physical	RS-485
Protocol	INTERBUS remote bus
ID code	03

Ambient conditions

Ambient temperature	-25 ... 70 °C (-13 ... 158 °F)
Storage temperature	-25 ... 85 °C (-13 ... 185 °F)
Climatic conditions	air humidity max. 75 %

Mechanical specifications

Degree of protection	IP20 according to EN 60529
Connection	terminals, max. core cross-section 2 x 2.5 mm ² , 9-pin Sub-D built-in connector
Material	
Housing	Makrolon 6485
Construction type	K-System, 80 mm (4 TE)

Function

The control interface unit is operated as an INTERBUS remote bus subscriber. The control interface unit uses 16 bytes in the INTERBUS frame protocol. When communicating from the master to the control interface unit, 8 bytes are used for the command data. 16 bytes are available for the transmission of the read head data from the control interface unit to the master. Here, only the cyclically transmitted process-data channel is used; the parameter channel is not used.

Up to 4 read heads can be connected to the control interface unit. After connecting to the system supply voltage, all connected read heads are registered and cyclically read.

Each read head has a corresponding 4 byte data field which contains the read code in 28 bit format. In addition, each data field contains a 3 bit read number which is incremented with every new code read. The read number makes it possible to manage, in the higher-order control system, the codes which have been read. In this way it is possible, for example, to determine whether a new code is pending or if the same code has been read multiple times. An additional status bit indicates whether or not a code carrier is currently in the acquisition range.

Software

The unit description for the commissioning software "IBS CMD G4" of the INTERBUS is included in the scope of delivery.