



### Model Number

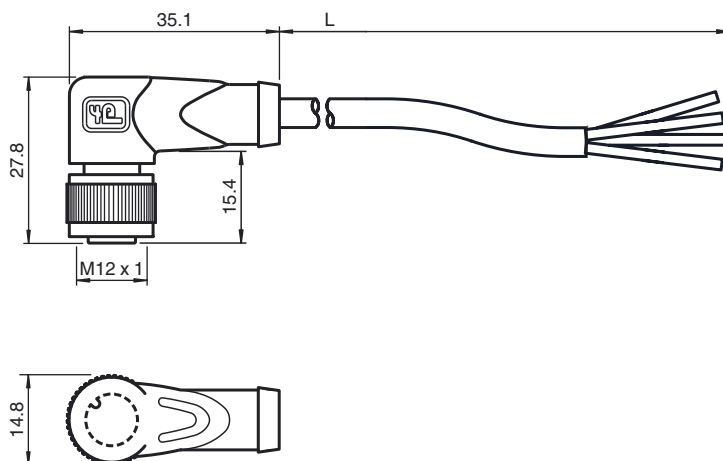
**V1-W-5M-PVC**

Female cordset, M12, 4-pin, PVC cable

### Features

- Knurled nut suitable for tool assembly
- Immunity to vibration, with mechanical latching
- Degree of protection IP67 / IP68 / IP69K
- Gold plated contacts

### Dimensions



### Technical data

#### General specifications

Number of pins 4

#### Electrical specifications

Operating voltage  $U_B$  max. 250 V AC/DC  
 Operating current  $I_B$  max. 4 A  
 Contact resistance < 10 m $\Omega$

#### Ambient conditions

Ambient temperature Body: -40 ... 90 °C (-40 ... 194 °F)  
 cable, fixed: -25 ... 70 °C (-13 ... 158 °F)  
 cable, flexing: -5 ... 70 °C (23 ... 158 °F)

Pollution Degree 3

#### Mechanical specifications

Contact elements spring-loaded contact socket

Pin diameter 1 mm

Degree of protection IP67 / IP68 / IP69k

#### Material

Contacts CuSn / Au

Contact surface Au

Body TPU, black

Cable PVC

Slotted nut Diecast zinc

Core insulation PVC

Cable fine-strand, flexible

Sheath diameter  $\varnothing$  4.8 mm

Bending radius > 10 x cable diameter, moving

Color grey

Cores 4 x 0.34 mm<sup>2</sup>

Conductor construction 19 x 0.15 mm  $\varnothing$

Length L 5 m

#### Flammability

Contact material 94 HB

Housing 94 V-2

Cable flame-resistant

#### Compliance with standards and directives

##### Standard conformity

Degree of protection EN 60529:2000

Standards IEC 61076-2-101:2008

### Electrical connection

