

### Model Number

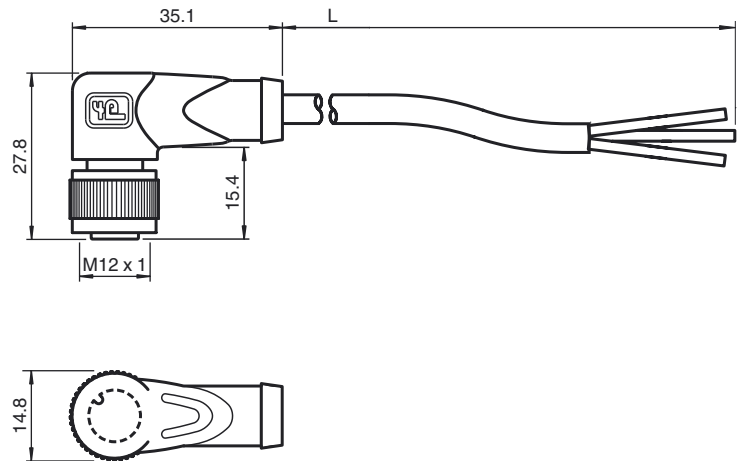
**V1-W-E2-2M-PUR**

Cable socket, M12, LED, 3-pin, PUR cable

### Features

- Built-in LED, as operating and function indicator
- Knurled nut suitable for tool assembly
- Immunity to vibration, with mechanical latching
- Gold-plated and machined contacts
- Protection degree IP67 / IP68 / IP69K
- Halogen-free

### Dimensions



### Technical data

#### General specifications

|                     |             |
|---------------------|-------------|
| Number of pins      | 3           |
| Connection 1        | socket      |
| Construction type 1 | right angle |
| Threading 1         | M12         |
| Connection 2        | cable end   |

#### Indicators/operating means

|            |                       |
|------------|-----------------------|
| LED green  | Operating display     |
| LED yellow | Functional display NO |

#### Electrical specifications

|                   |       |                        |
|-------------------|-------|------------------------|
| Operating voltage | $U_B$ | max. 24 V DC $\pm$ 15% |
| Operating current |       | max. 4 A               |
| Volume resistance |       | < 5 m $\Omega$         |

#### Ambient conditions

|                     |  |
|---------------------|--|
| Ambient temperature | Body: -40 ... 90 °C (-40 ... 194 °F)<br>cable, fixed: -40 ... 80 °C (-40 ... 176 °F)<br>cable, flexing: -30 ... 80 °C (-22 ... 176 °F) |
| Pollution Degree    | 3  |

#### Mechanical specifications

|                        |                               |
|------------------------|-------------------------------|
| Contact elements       | spring-loaded contact socket  |
| Pin diameter           | 1 mm                          |
| Protection degree      | IP67 / IP68 / IP69k           |
| Material               |                               |
| Contacts               | CuSn / Au                     |
| Contact surface        | Au                            |
| Body                   | TPU, transparent              |
| Cable                  | PUR                           |
| Slotted nut            | Diecast zinc                  |
| Core insulation        | PP                            |
| Cable                  | fine-strand, flexible         |
| Sheath diameter        | $\varnothing$ 4.8 mm          |
| Bending radius         | > 10 x cable diameter, moving |
| Color                  | grey                          |
| Cores                  | 3 x 0.34 mm <sup>2</sup>      |
| Conductor construction | 19 x 0.15 mm $\varnothing$    |
| Length                 | L 2 m                         |
| Flammability           |                               |
| Contact material       | 94 HB                         |
| Housing                | 94 V-2                        |

### Electrical connection

