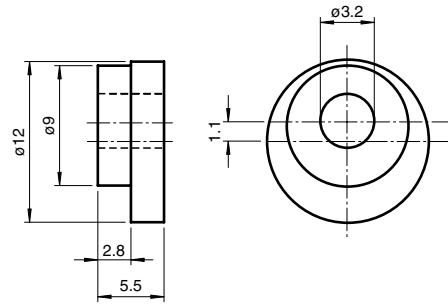




Dimensions



Model Number

9310-3

Synchro clamping element

Technical data

General information

Scope of delivery	3 item(s)
-------------------	-----------