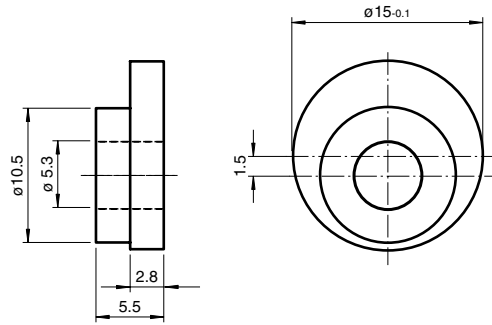




## Dimensions



## Model Number

**9312-3**

Synchro clamping element

## Technical data

### General information

Scope of delivery 3 item(s)