



### Model Number

10-11631\_R-1024

### Features

- Industrial standard housing Ø58 mm
- 1024 ppr
- Clamping flange
- 10 V ... 30 V with short-circuit proof push-pull output

## Technical data

### General specifications

Pulse count 1024

### Electrical specifications

Operating voltage  $U_B$  10 ... 30 V DC

No-load supply current  $I_0$  max. 80 mA

### Output

Output type push-pull, incremental

Voltage drop  $U_d$  < 4 V

Load current max. per channel 40 mA, short-circuit protected, reverse polarity protected

Output frequency max. 100 kHz

Rise time 250 ns

De-energized delay  $t_{off}$  250 ns

### Connection

Cable Ø6 mm, 4 x 2 x 0.14 mm<sup>2</sup>, 2 m

### Standard conformity

Degree of protection DIN EN 60529, IP65

Climatic testing DIN EN 60068-2-3, no moisture condensation

Emitted interference EN 61000-6-4:2007/A1:2011

Noise immunity EN 61000-6-2:2005

### Ambient conditions

Operating temperature

Glass disk -20 ... 70 °C (-4 ... 158 °F)

Plastic disk -20 ... 60 °C (-4 ... 140 °F)

Storage temperature

Glass disk -40 ... 70 °C (-40 ... 158 °F)

Plastic disk -40 ... 60 °C (-40 ... 140 °F)

### Mechanical specifications

Material housing: diecast zinc  
flange: aluminum 3.1645  
shaft: stainless steel 1.4305 / AISI 303

Mass approx. 335 g

Rotational speed max. 10000 min<sup>-1</sup>

Moment of inertia ≤ 30 gcm<sup>2</sup>

Starting torque ≤ 1.5 Ncm

Shaft load

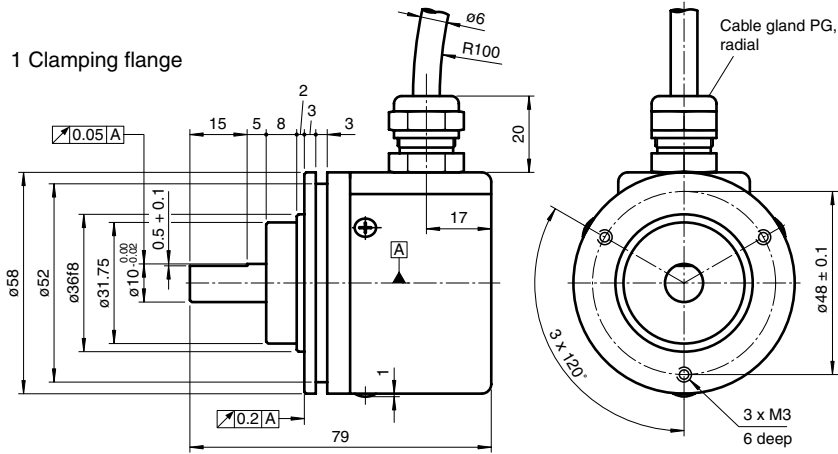
Axial 60 N

Radial 80 N

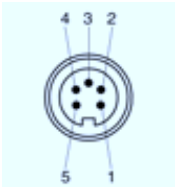
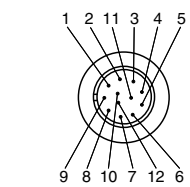

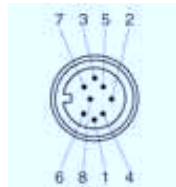
### Approvals and certificates

UL approval cULus Listed, General Purpose, Class 2 Power Source

**Dimensions**

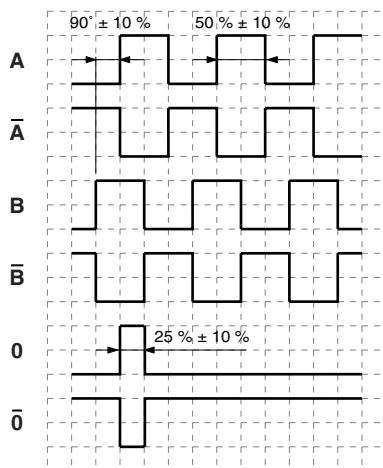


**Electrical connection**

Signal	Cable Ø6 mm, 8-core	Connector 9414, 5-pin	Connector 9416, 12-pin	Connector 42306, 6-pin	Connector 42308, 8-pin
GND	White	1	1	1	1
+U <sub>b</sub>	Brown	2	2	2	2
A	Green	3	3	3	3
B	Grey	4	4	4	4
$\bar{A}$	Yellow	-	5	-	5
$\bar{B}$	Pink	-	6	-	6
0	Blue	5	7	5	7
$\bar{0}$	Red	-	8	-	8
					

Release date: 2014-12-11 09:20 Date of issue: 2014-12-11 045995\_eng.xml

## Signal outputs



↻ cw - with view onto the shaft

Order code



**Pulse count** 60, 100, 120, 180, 200, 250, 256, 300, 314, 360, 400, 500, 512, 600, 720, 900, 1000, 1024, 1200, 1250, 1500, 1800, 2000, 2048, 2400, 2500, 3000, 3600, 4000, 4096, 5000

Further pulse counts on demand!

**Exit position**

- A Axial\*
- R Radial

**Housing material**

- diecast zinc
- I Inox\*

**Output switching**

- 1 10 V ... 30 V, push-pull
- 6 5 V, RS 422
- X 10 V ... 30 V, RS 422

**Connection type**

- 2 Plug connector type 9414, 5-pin
- 3 Cable Ø6 mm, 2 x 4 x 0,14 mm², 2 m
- 5 Plug connector type 9416, 12-pin
- C Plug connector type 42306, 6-pin
- D Plug connector type 42308, 8-pin

**Signal output**

- 3 A + B + 0
- 6 A + B + 0 and  $\bar{A} + \bar{B} + \bar{0}$

**Flange version** (Special flanges on demand)

- 1 Clamping flange
- 3 Servo flange
- 4 Servo flange with additional centring collar
- 5 Square flange
- V Clamping flange

**Shaft dimension** (Special shafts on demand)

- 1 Shaft Ø10 mm x 20 mm
- 2 Shaft Ø6 mm x 10 mm

\*For housing material I only axial connector output A possible.