



Model Number

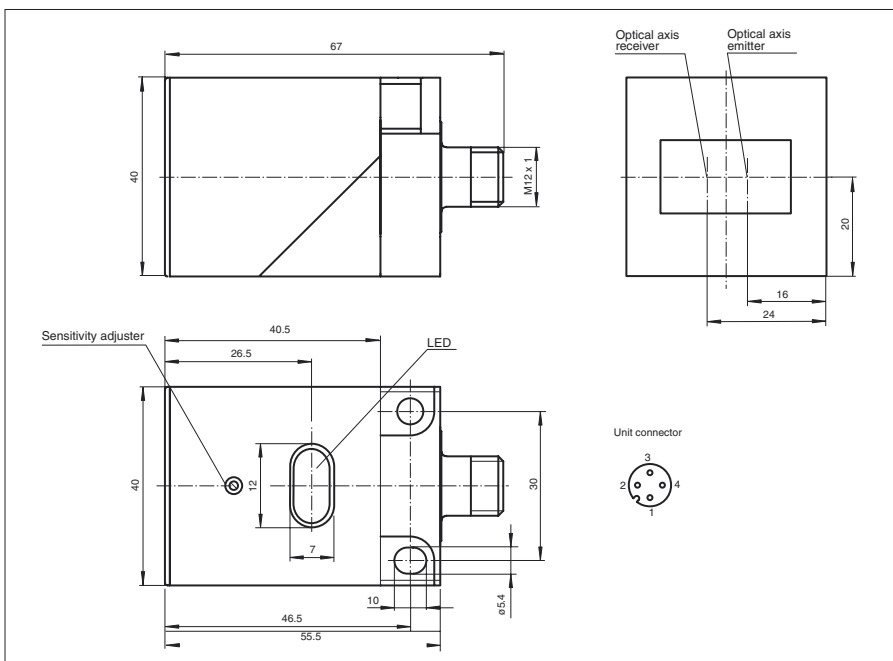
OBS6000-L2-E5-V1

Retroreflective sensor
with 4-pin, M12 connector

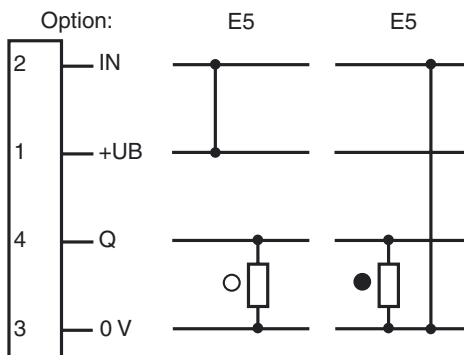
Features

- Glare protected with polarization filter
- Visible red light
- Positioning of the sensor head is possible in two planes
- Multitude of mounting possibilities
- Mounting only with one tool: the screwdriver
- Light/dark ON, programmable

Dimensions



Electrical connection



○ = Light on
● = Dark on

Release date: 2007-06-19 16:44 Date of issue: 2011-01-26 049791_ENG.xml

Technical data**General specifications**

Effective detection range	0 ... 6000 mm
Reflector distance	600 ... 6000 mm
Threshold detection range	9 m (with H85 reflector)
Light source	LED
Light type	modulated visible red light
Approvals	CE
Ambient light limit	15000 Lux

Indicators/operating means

Function display	LED yellow: switching state LED red: pre-fault indication
Controls	sensitivity adjustment

Electrical specifications

Operating voltage	U_B	10 ... 30 V DC
Ripple		10 %
No-load supply current	I_0	≤ 20 mA

Input

Control input	light on +UB dark on: 0 V
---------------	------------------------------

Output

Switching type	light/dark on	
Signal output	1 PNP output, short-circuit protected, protected from reverse polarity, open collector	
Switching voltage	max. 30 V DC	
Switching current	max. 250 mA	
Voltage drop	U_d	≤ 1.5 V
Switching frequency	f	≤ 200 Hz
Response time		≤ 2.5 ms

Standard conformity

Standards	EN 60947-5-2
-----------	--------------

Ambient conditions

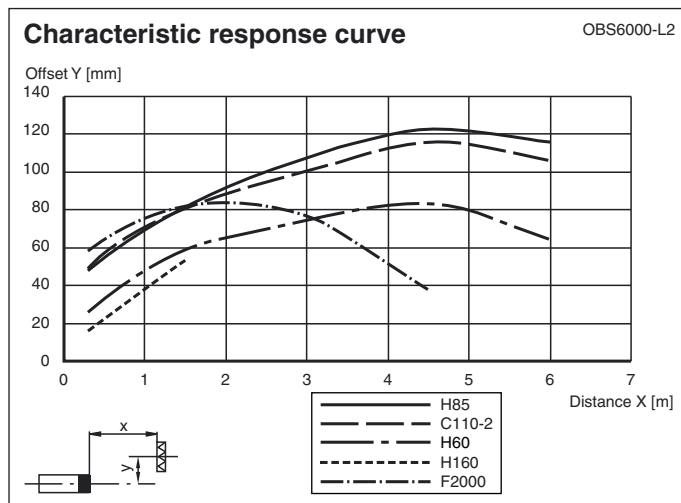
Ambient temperature	-25 ... 70 °C (-13 ... 158 °F)
Storage temperature	-40 ... 80 °C (-40 ... 176 °F)

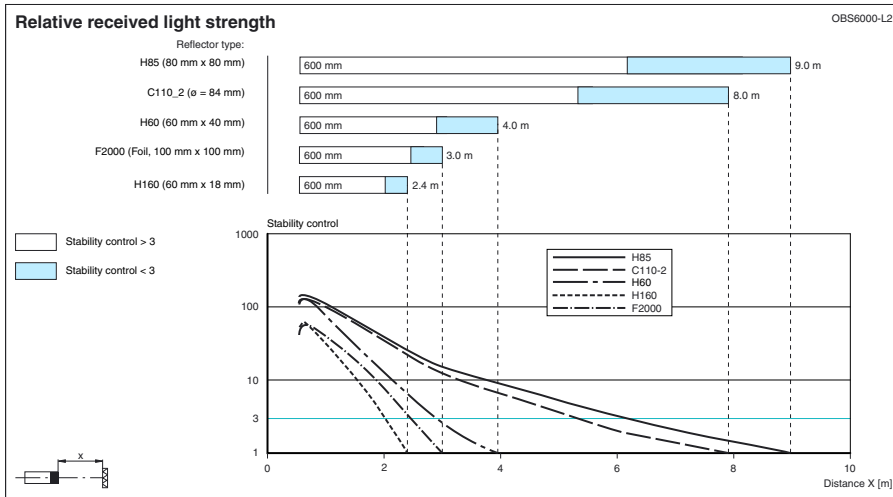
Mechanical specifications

Protection degree	IP67
Connection	connector M12 x 1, 4-pin
Material	
Housing	PBT
Optical face	scratch resistant plastic lens
Mass	60 g

Approvals and certificates

CCC approval	Products with a maximum operating voltage of ≤ 36 V do not bear a CCC marking because they do not require approval.
--------------	--

Curves/Diagrams



Release date: 2007-06-19 16:44 Date of issue: 2011-01-26 049791_ENG.xml