

### Model number

#### U-G1PP

AS-Interface module mounting base for connection to round cable (AS-Interface and external auxiliary power)

### Function

The base U-G1PP allows to connect slaves with additional supply (EEMS) to AS-Interface. It has one connection type to AS-Interface and an other to the auxiliary power, which are not interconnected. The cable bushings are designed for round cables, they can be connected by screw terminals.

### Accessories

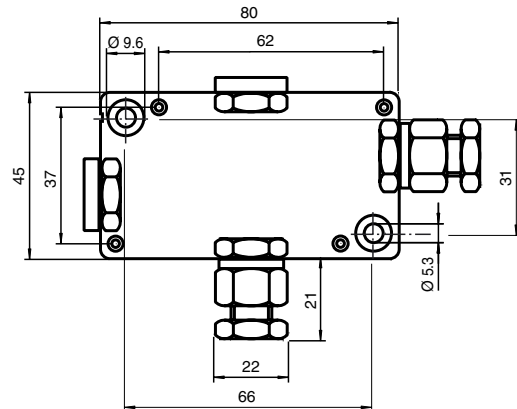
#### VAZ-DK-G1

Cover for bases -G1F- and -G1P-

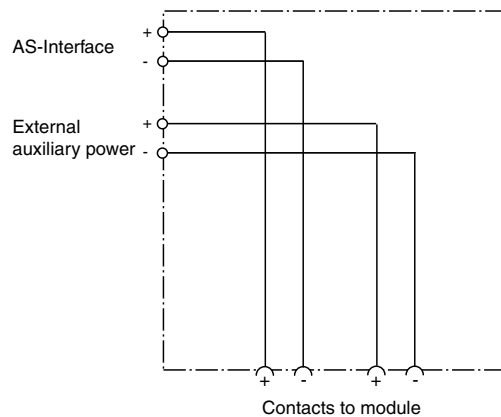
#### PG11-1/2NPT

Conduit adapter

### Dimensions



### Electrical connection



### Technical data

#### General specifications

UL File Number	E198304
----------------	---------

#### Electrical specifications

Current loading capacity	≤ 5 A for max. 40 V
--------------------------	---------------------

#### Ambient conditions

Ambient temperature	-25 ... 60 °C (-13 ... 140 °F)
Storage temperature	-40 ... 85 °C (-40 ... 185 °F)

#### Mechanical specifications

Protection degree	IP67 according to EN 60529 (only in connection with module or cover)
Connection	PG11 round cable for AS-Interface and external power supply core cross-section ≤ 2.5 mm
Material	
Housing	PBT
Dimensions	about 80, 45, 34 mm (L, W, H)
Mounting	DIN rail or screw mounting

**Matching system components****VAZ-TUNER**

Active bus terminal resistor

**VBA-2E2A-G4-ZE/E2**

G4 module IP67

2 inputs (PNP) and 2 electronic outputs

**Matching system components****VBA-4E4A-G4-ZE/E2**

G4 module IP65  
4 inputs (PNP) and 4 electronic outputs

**VBA-4E3A-G4-ZE/E2**

G4 module IP65  
4 inputs (PNP) and 3 electronic outputs

**VBA-2A-G4-U**

G4 module IP65  
2 analog outputs (voltage)

**VBA-2A-G4-I**

G4 module IP65  
2 analog outputs (current)

**VBA-2E-G4-U**

G4 module IP65  
2 analog inputs (voltage)

**VBA-2E-G4-I**

G4 module IP65  
2 analog inputs (current)

**VAA-2EA-G1-ZE/E2-LG**

Logic module  
2 inputs/2 outputs

**VAA-4A-G4-E0**

G4 module IP67  
4 electronic outputs (NPN)

**VAA-4A-G4-E2**

G4 module IP67  
4 electronic outputs (PNP)

**VAA-2EA-G4-ZE0/E0**

G4 PG module IP67  
2 inputs (NPN) and 2 electronic outputs

**VAA-2EA-G4-ZE/E2**

G4 module IP67  
2 inputs (PNP) and 2 electronic outputs

**VAA-4E4A-G4-ZE/E2-IFM**

G4 module IP65  
4 inputs (PNP) and 4 electronic outputs

**VAA-4E4A-G4-ZE/E2**

G4 module IP65  
4 inputs (PNP) and 4 electronic outputs

**VAA-4E4A-G4-ZE/E2-Y909711**

G4 module IP65  
4 inputs (PNP) and 4 electronic outputs

**VAA-4EA-G4-ZE/E2**

G4 module IP65  
4 inputs (PNP) and 4 electronic outputs

**VAA-4A-G1-E2**

Standard module IP67  
4 electronic outputs

**VAA-2EA-G1-ZE/E2**

Standard module IP67  
2 inputs (PNP) and 2 electronic outputs

**VAN-G4-PE**

AS-Interface power extender

**VAN-G4-PE-4A**

AS-Interface power extender

**VAR-G4F**

Release date: 2009-01-21 10:05 Date of issue: 2014-01-13 050087\_eng.xml

**Matching system components**

AS-Interface Advanced Repeater

**VAR-G4F**

AS-Interface repeater

**VAA-4E2A-G1-ZE/PEXT-S**

Pneumatic module

4 inputs/2 pneumatic outputs

**VBA-4E2A-G1-ZE/PEXT-S**

Pneumatic module

4 inputs/2 pneumatic outputs

**VAA-2E-G4-SE**

G4 module IP67

safety module with 2 inputs

**VAA-2E-G4-SE-V1-IFM**

AS-Interface safety module